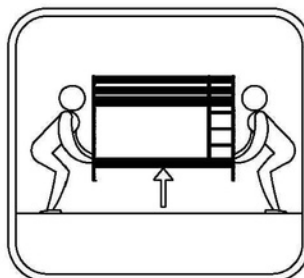
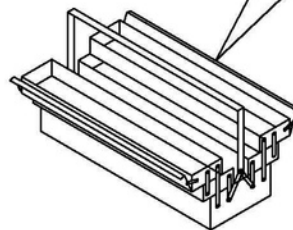
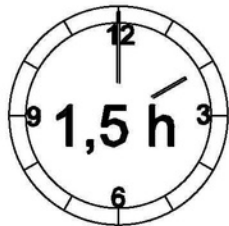
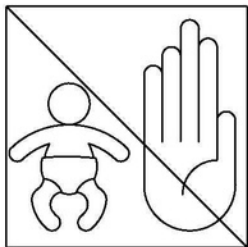
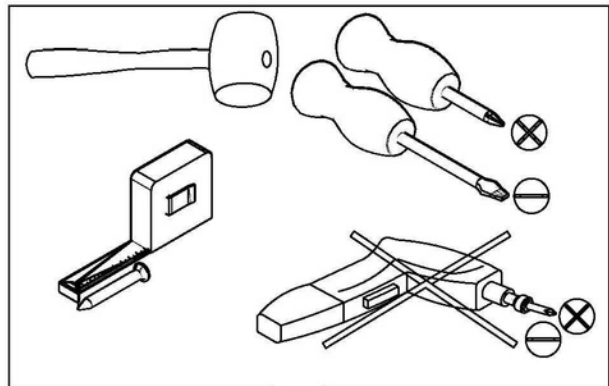
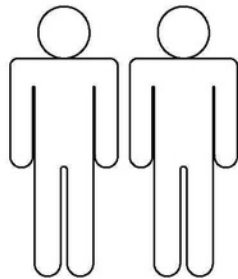
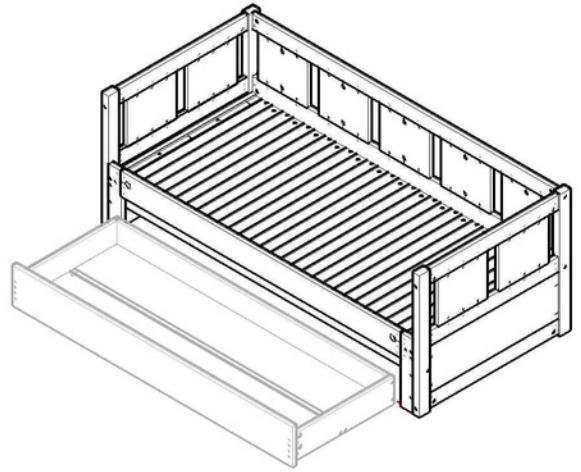
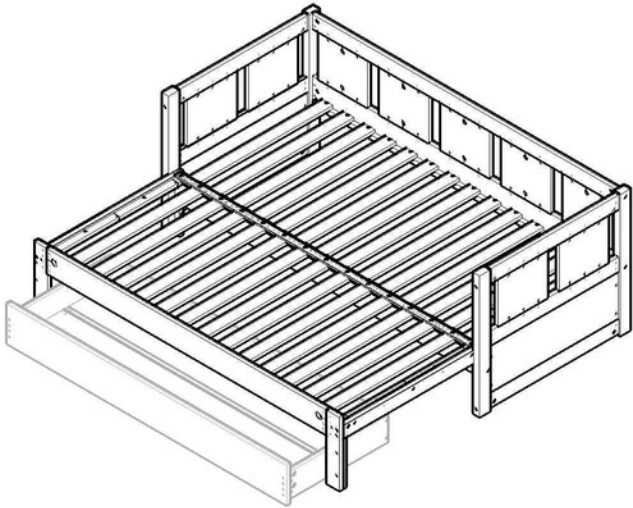
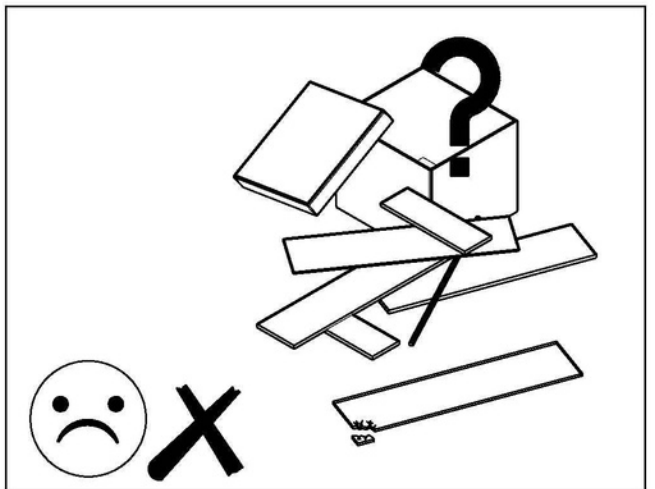
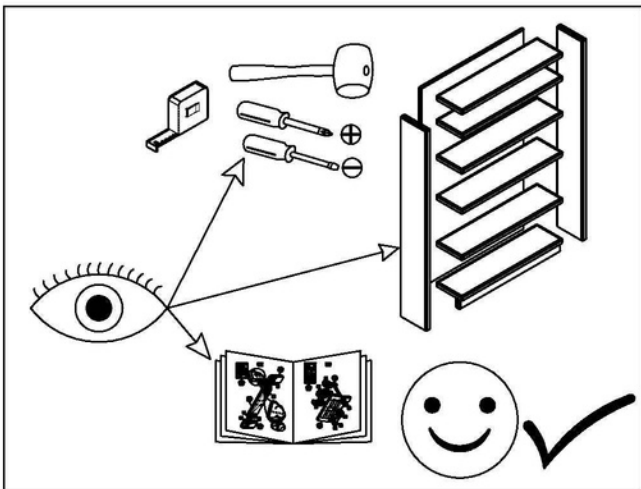
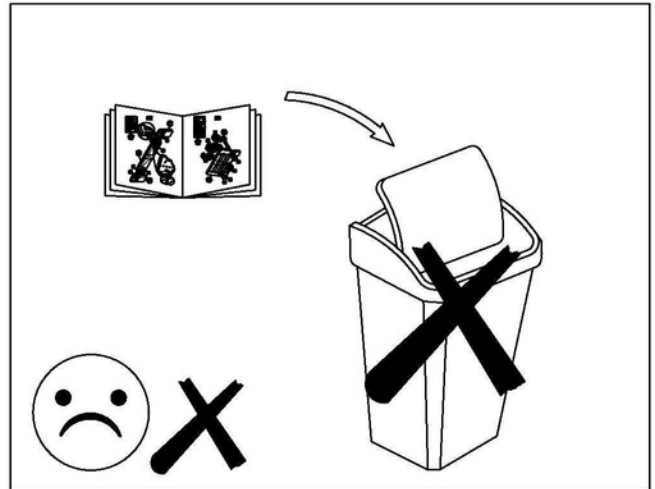
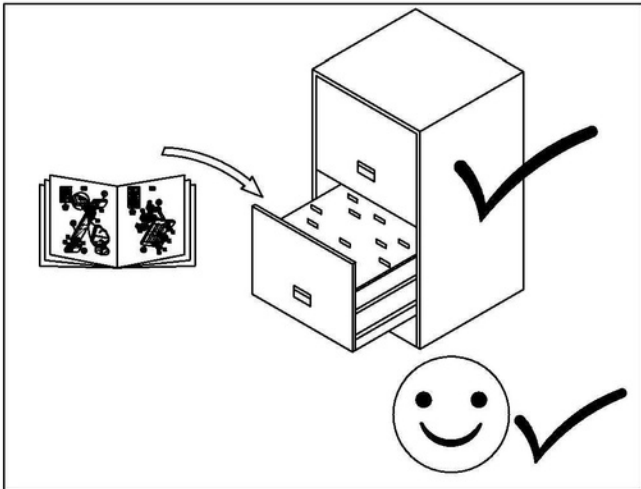
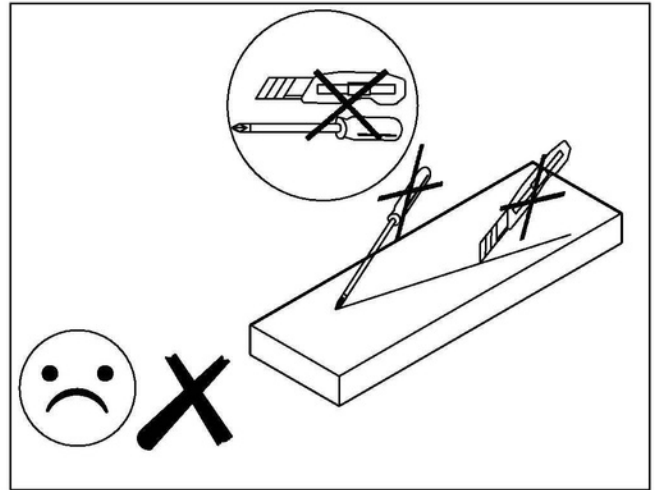
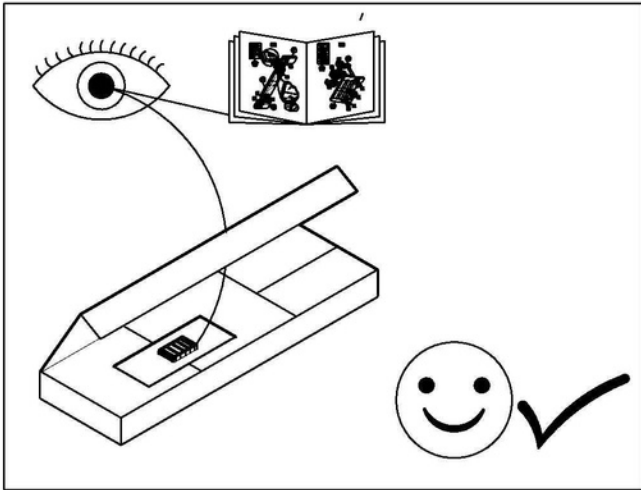
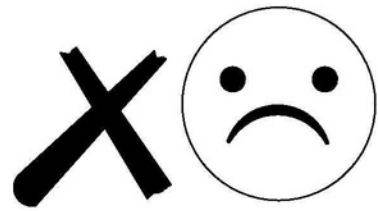
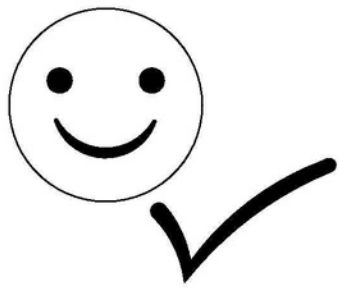
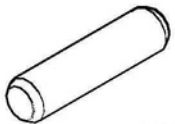
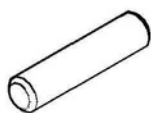
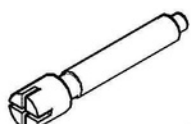
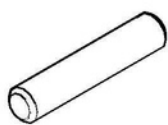
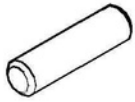

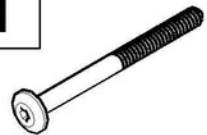



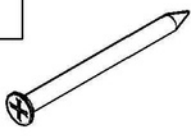




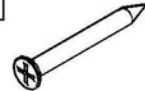

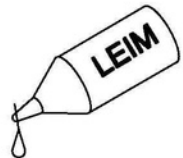
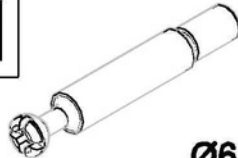

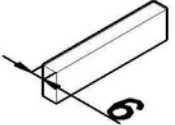
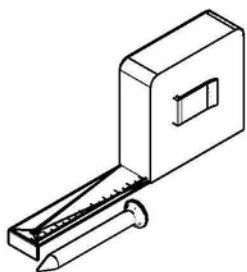


ANDY

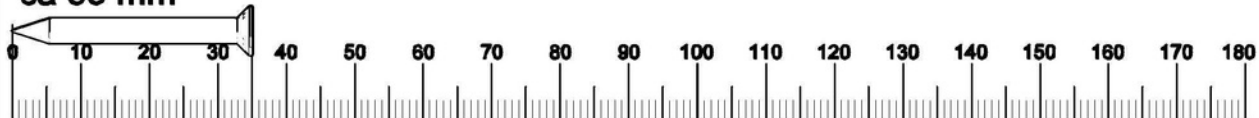


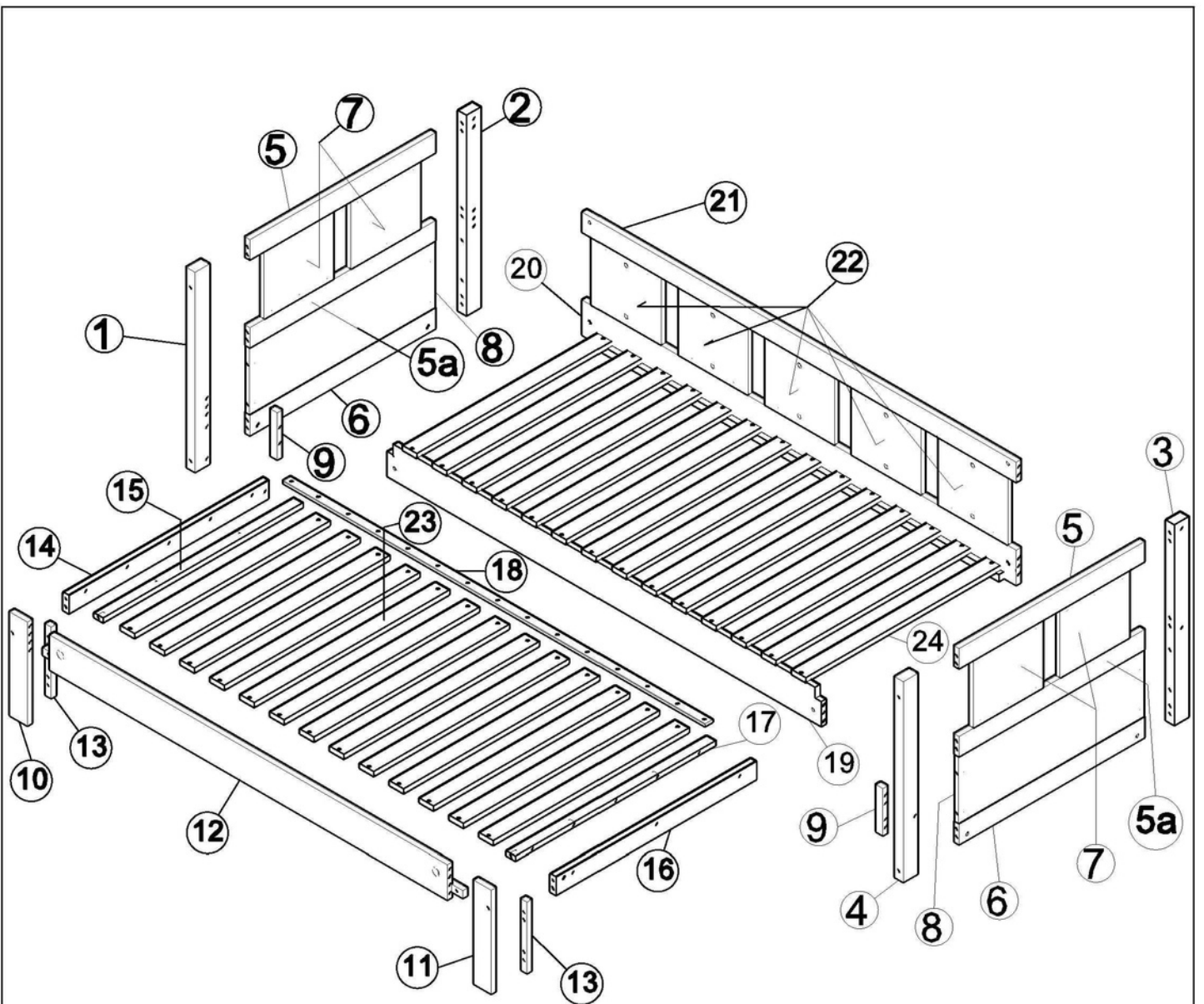


K4	 x 12 Ø10 x 40	K1	 x 60 Ø8 X 35	J4	 x 2 M6 X 50
K3	 x 22 Ø8 X 40	K2	 x 8 Ø8 x 30	B4	 x 2 Ø30
J21	 x 6 M6 X 80	J12	 x 8 M6 x 110	H4	 x 16 Ø10/M6 x 13
J7	 x 2 M6 X 60	S7	 x4 Ø3,5 x 50	E2	 x13 Ø6,3 x 24
F2	 x 1 HEX 4 mm	S5	 x41 Ø3,5 x 30	S20	 x2 Ø3,5 x 20
S6	 x6 Ø3,5 x 35	C4	 x6 Ø7 x 50	Q1	 x1 LEIM
M1	 x10 Ø6,3 x 30	M2	 x10 Ø15	X1	 x2 50x20x6

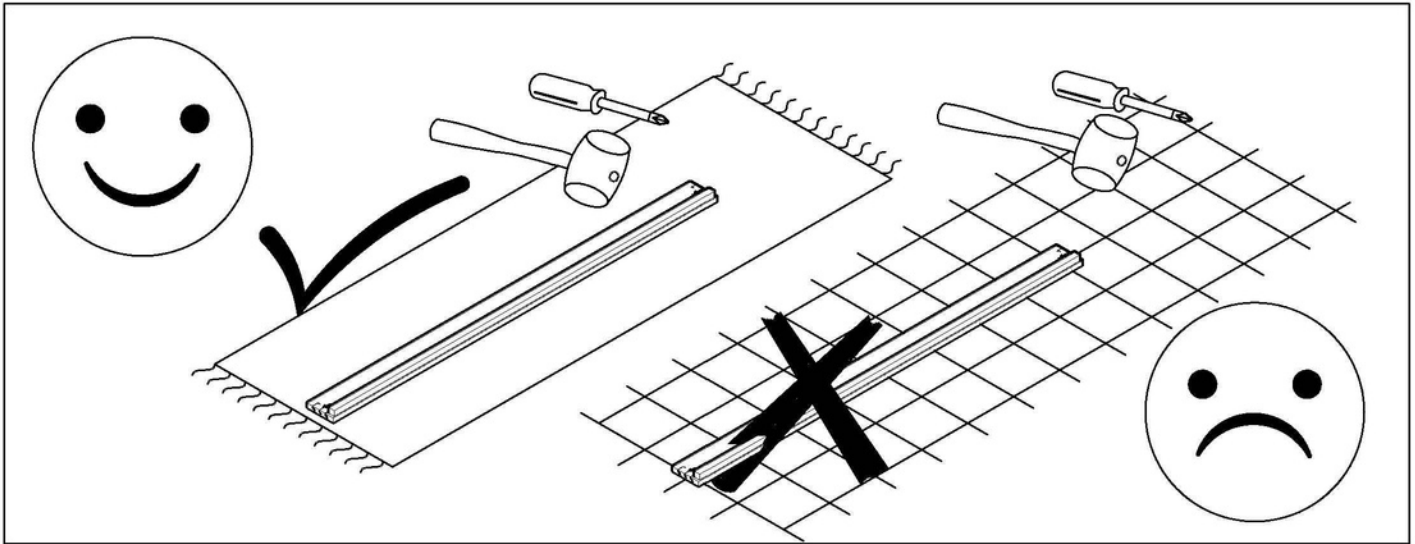



ca 35 mm







No	Σ	L X B X T(MM)	✓	No	Σ	L X B X T(MM)	✓
1	1	800 X 65 X 38		12	1	1834 X 140 X 20	
2	1	800 X 65 X 38		13	2	285 X 25 X 20	
3	1	800 X 65 X 38		14	1	920 X 72 X 25	
4	1	800 X 65 X 38		15	1	920 X 40 X 18	
5	2	855 X 80 X 20		16	1	920 X 72 X 25	
5a	2	855 X 80 X 20		17	1	920 X 40 X 18	
6	2	855 X 80 X 20		18	1	1944 X 35 X 10	
7	4	262 X 320 X 16		19	1	2000 X 140 X 20	
8	2	855 X 262 X 16		20	1	2000 X 140 X 20	
9	2	188 X 30 X 20		21	1	2000 X 80 X 20	
10	1	415 X 80 X 20		22	5	272 X 320 X 16	
11	1	415 X 80 X 20		23	13	900 X 63 X 18	
				24	14	900 X 63 X 18	





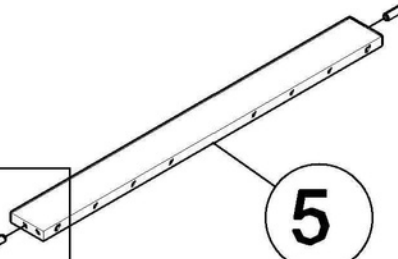
K1 x 46

 Ø8 X 35

K2 x 8

 Ø8 X 30



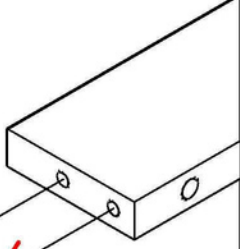
K3 x 4

 Ø8 X 40

1



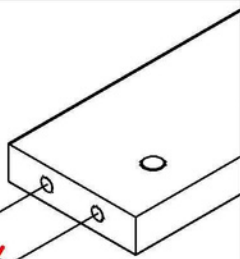
K4 x 12

 Ø10 X 40


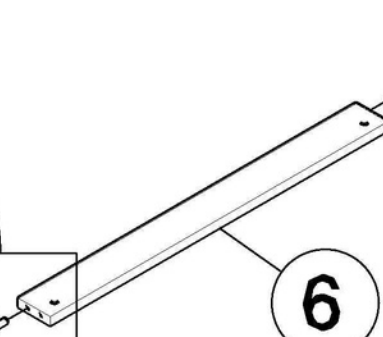
K3  **K3**  **x2**

5

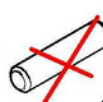
K3   


2


K3   


K3  **K3**  **x2**


6


K1 x 46

 Ø8 X 35

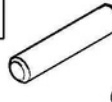
K2 x 8

 Ø8 X 30

K3 x 4

 Ø8 X 40


K4 x 12

 Ø10 X 40

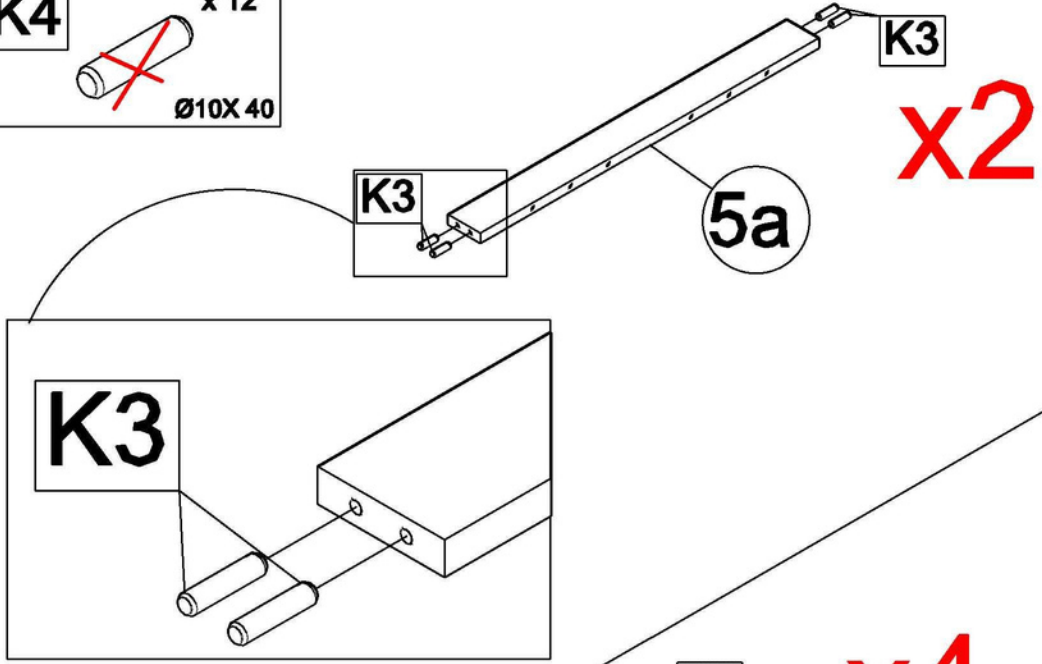
K1 x 46

 Ø8 X 35

K2 x 8

 Ø8 X 30

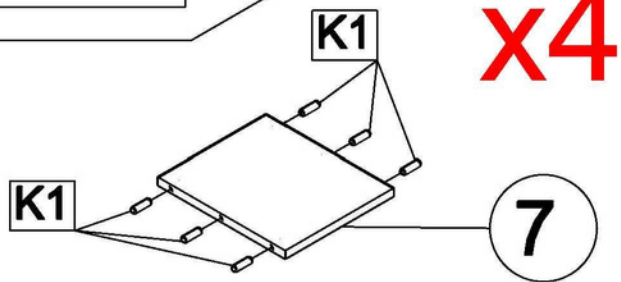
K3 x 8

 Ø8 X 40


3

K4 x 12

 Ø10X 40




4




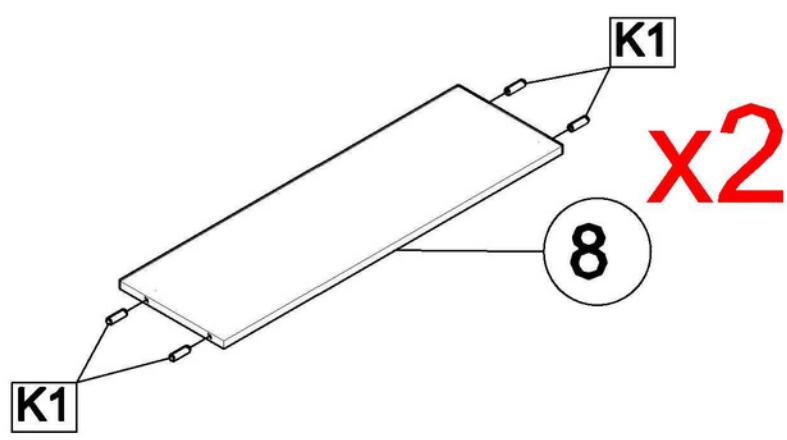
K1 24

 Ø8 X 35

K2 x 8


 Ø8 X 30

K3 x 4

 Ø8 X 40

K4 x 12

 Ø10X 40





5

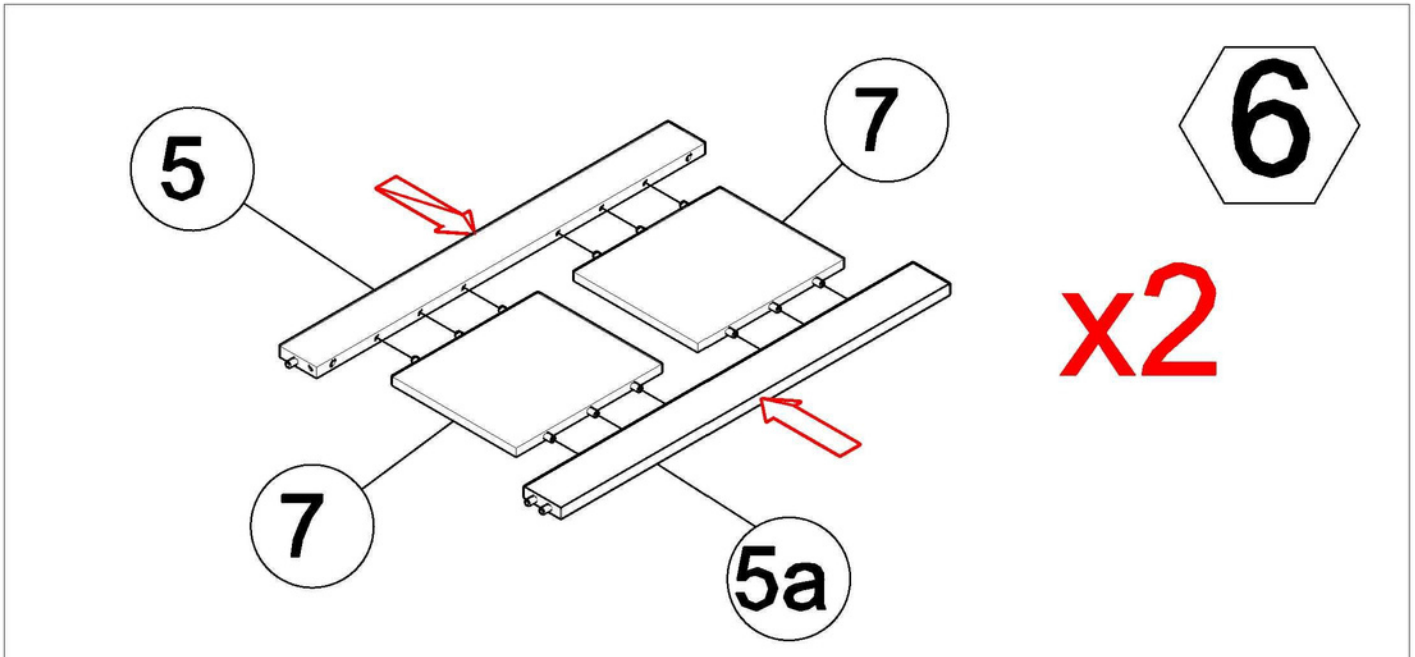
K1 x 8

 Ø8 X 35

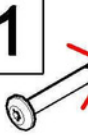


K2 x 8


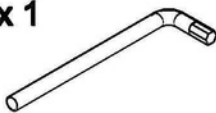
 Ø8 X 30

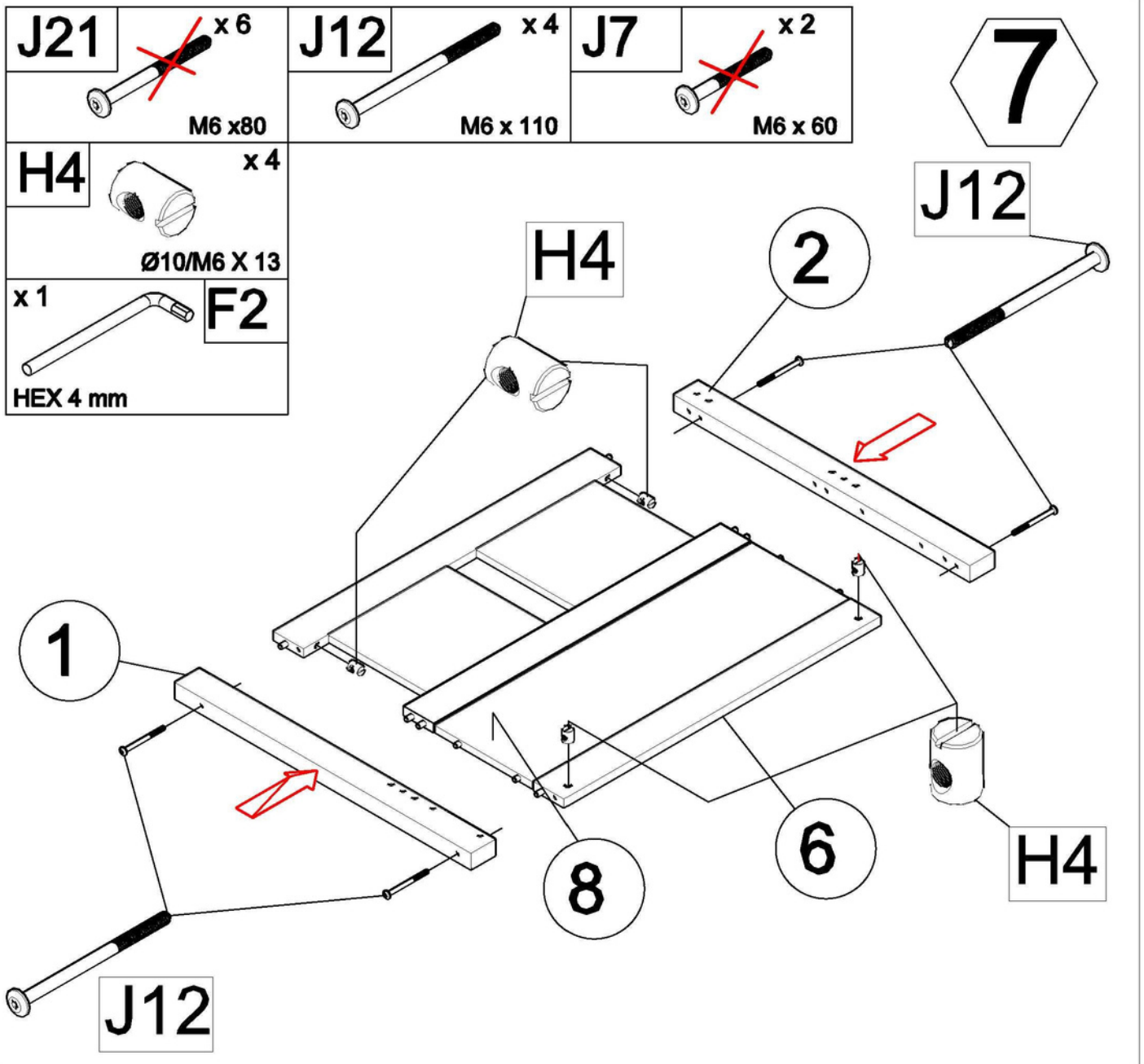
K3 x 6

 Ø8 X 40

K4 x 12

 Ø10X 40



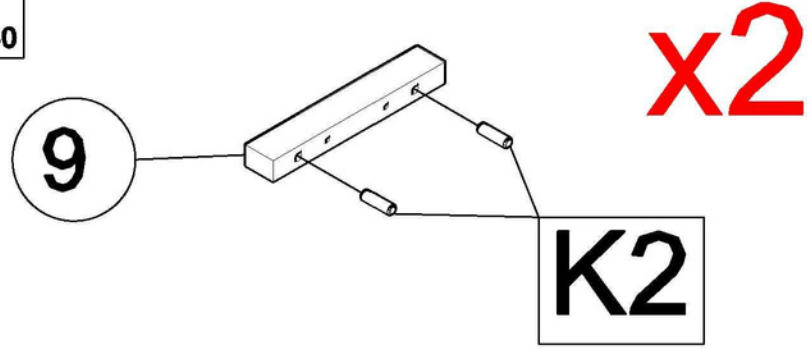
J21  x 6 M6 x 80	J12  x 4 M6 x 110	J7  x 2 M6 x 60
--	--	--

H4  x 4 Ø10/M6 X 13	F2  x 1 HEX 4 mm
---	---



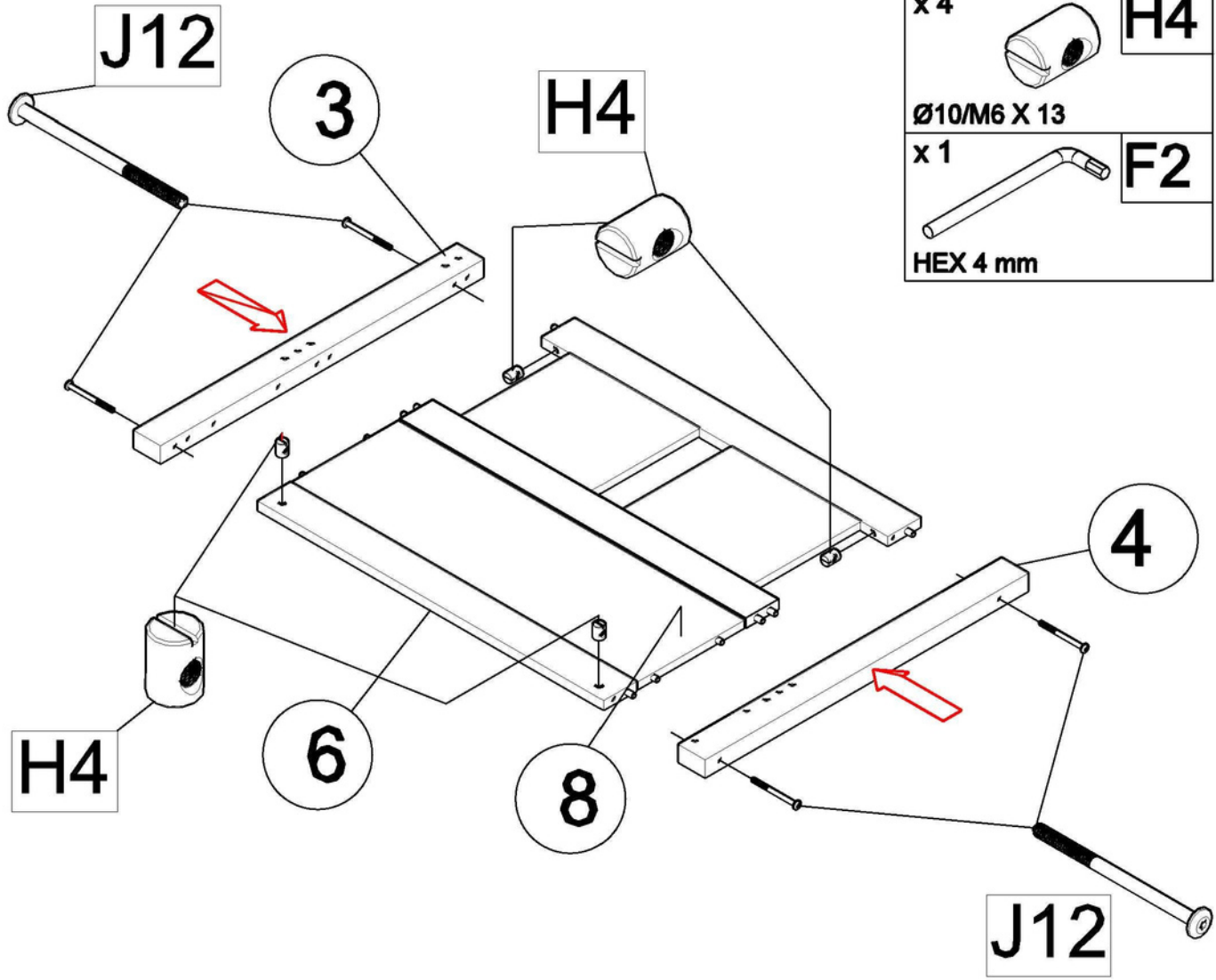
K1 x 46 Ø8 X 35	K2 x 4 Ø8 X 30	K3 x 8 Ø8 X 40
K4 x 12 Ø10X 40		

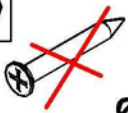

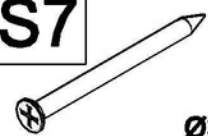
8



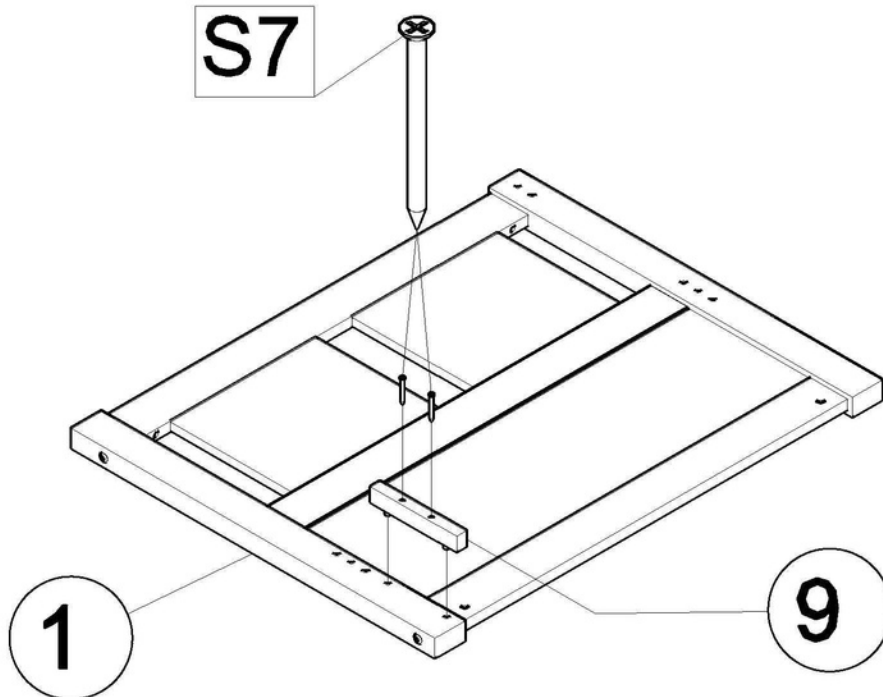
9


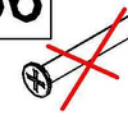

x 2 M6 x 60	J7 x 4 M6 x 110	x 6 M6 x 80	J21
		x 4 Ø10/M6 X 13	H4
		x 1 HEX 4 mm	F2



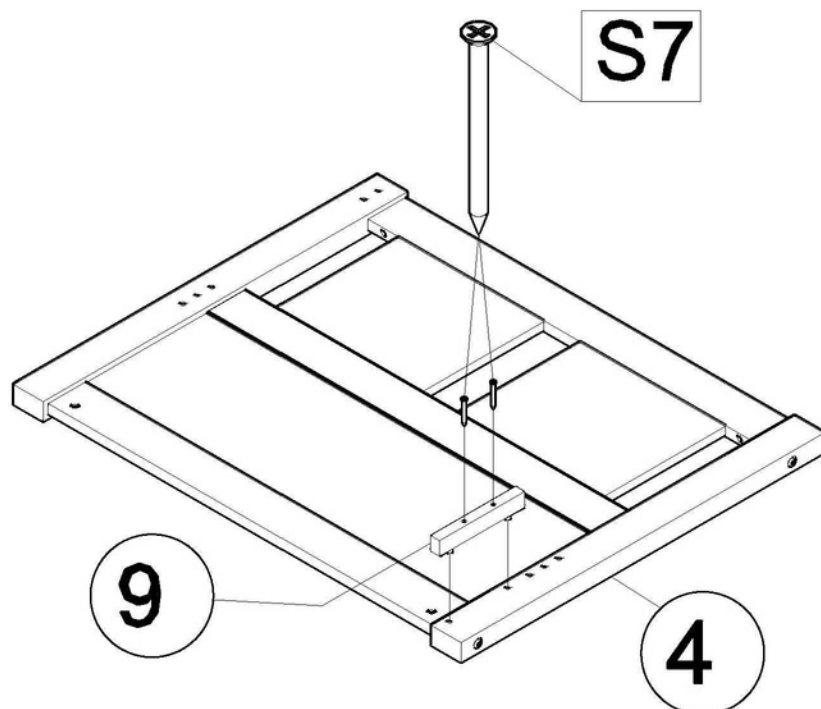
S5 x 45  Ø3,5 X 30	S6 x 6  Ø3,5 X 35	S7 x 2  Ø3,5 X 50
---	--	---

10



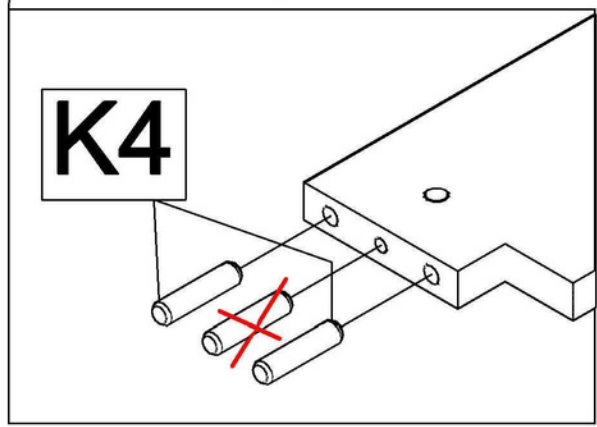
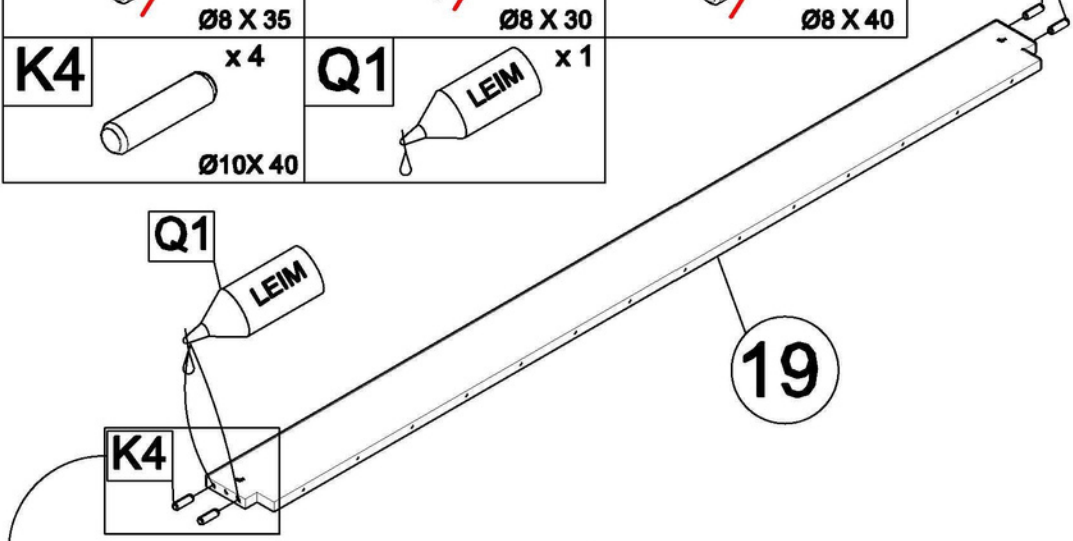
S5 x 45  Ø3,5 X 30	S6 x 6  Ø3,5 X 35	S7 x 2  Ø3,5 X 50
---	--	---

11

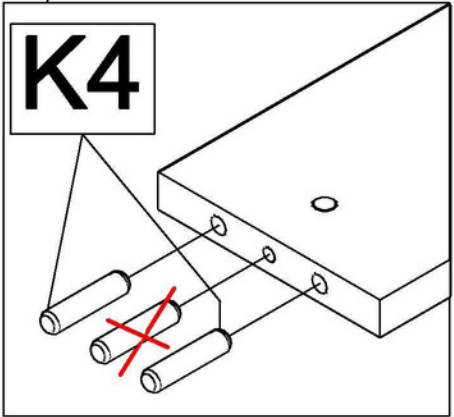
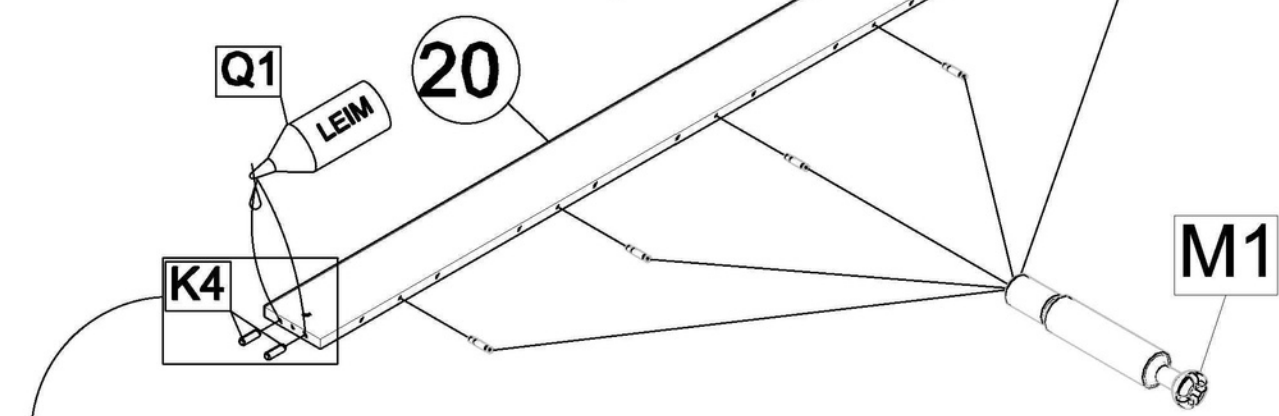


12







K1 x 46 Ø8 X 35	K2 x 8 Ø8 X 30	K3 x 8 Ø8 X 40
K4 x 4 Ø10X 40	Q1 LEIM x 1	



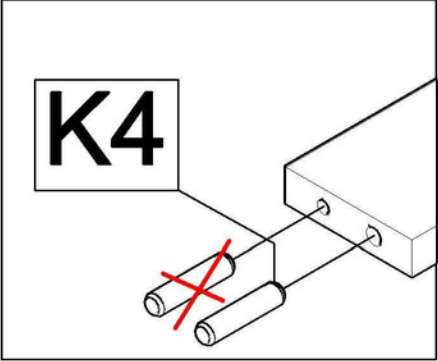
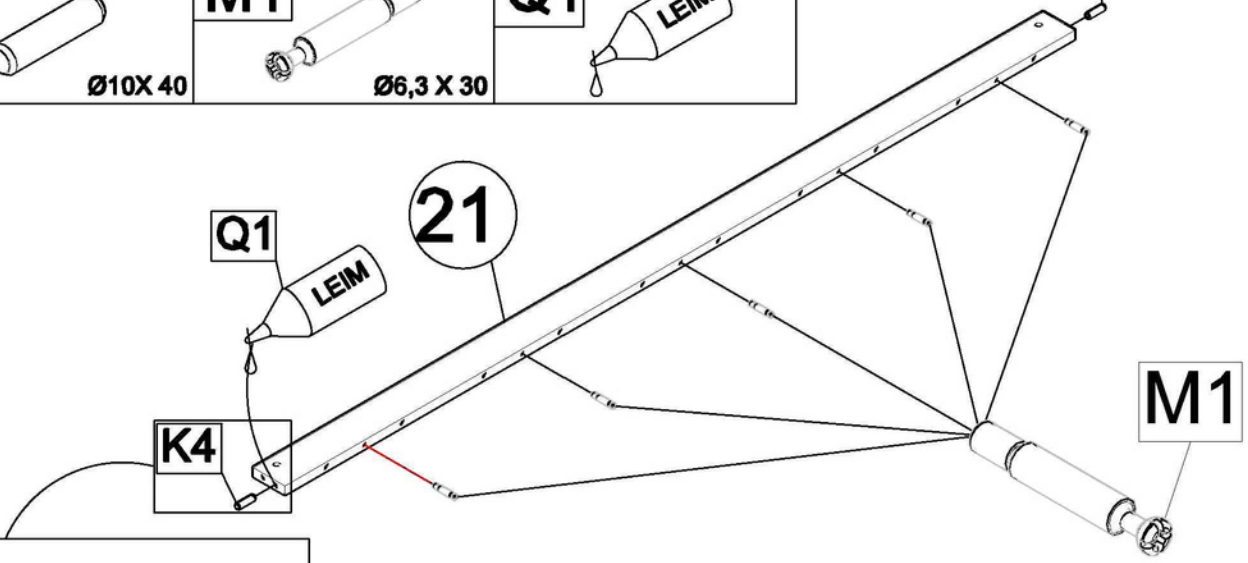
13



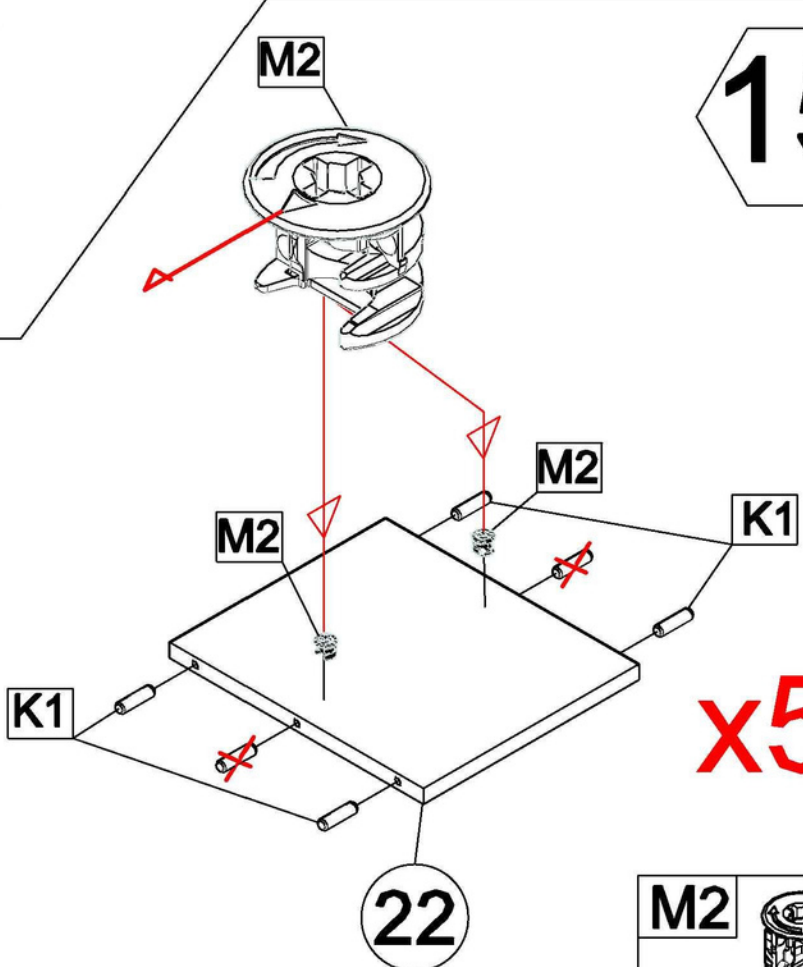
Q1 LEIM x 1	M1 x 5 Ø6,3 X 30	K4 x 4 Ø10X 40
K1 x 46 Ø8 X 35	K2 x 8 Ø8 X 30	K3 x 8 Ø8 X 40

K1	 x 46	K2	 x 8	K3	 x 8
K4	 x 2	M1	 x 5	Q1	 x 1




14



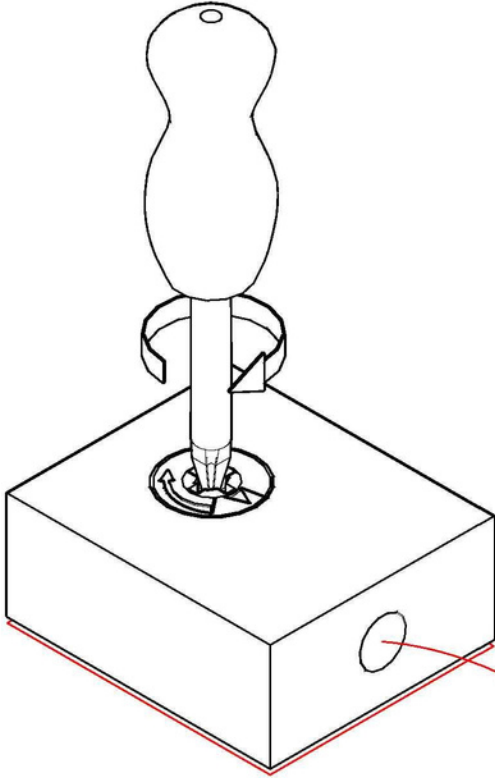
15



M2	 x 10
	Ø15

K1	 20	K2	 x 8	K3	 x 4	K4	 x 12
	Ø8 X 35		Ø8 X 30		Ø8 X 40		Ø10 X 40

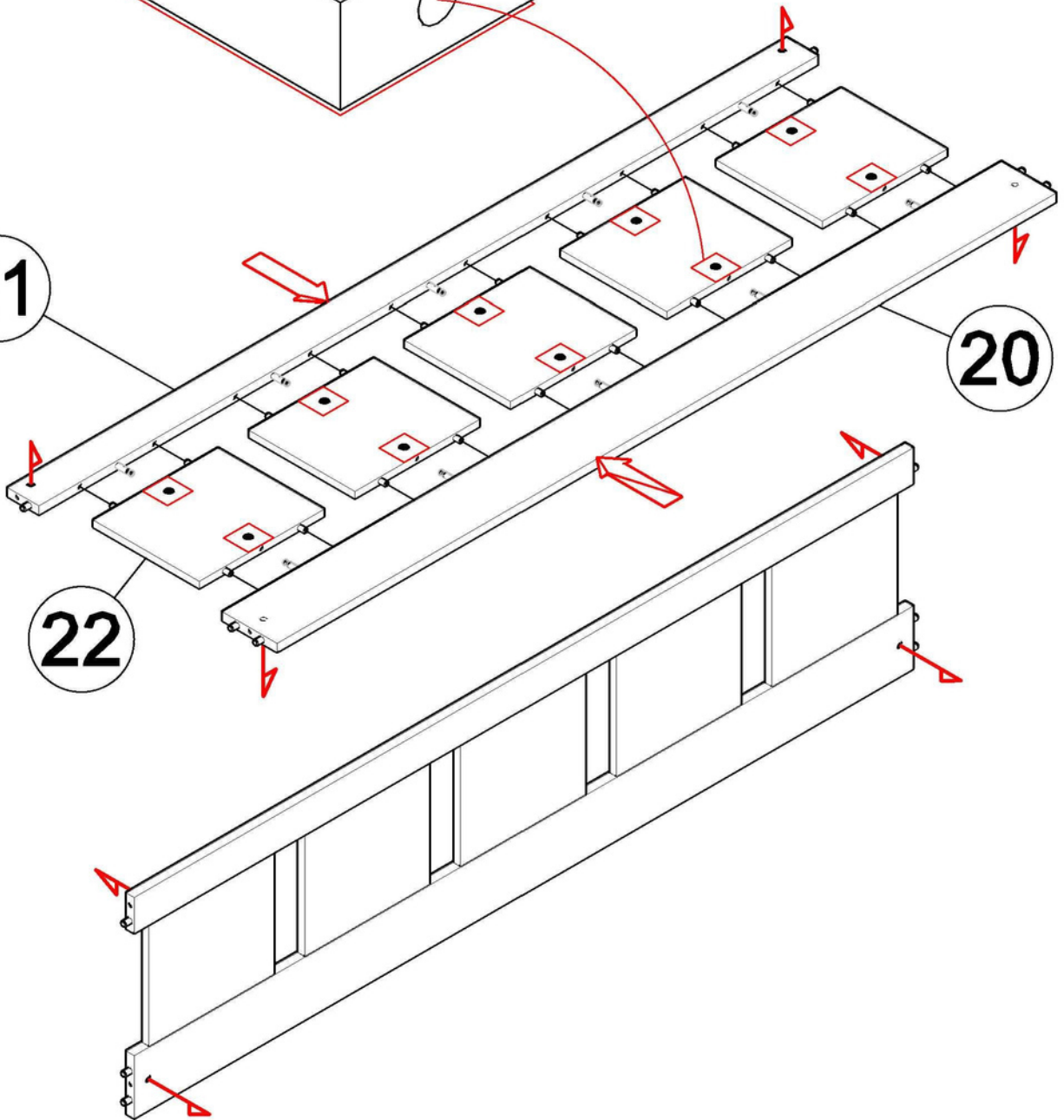
16

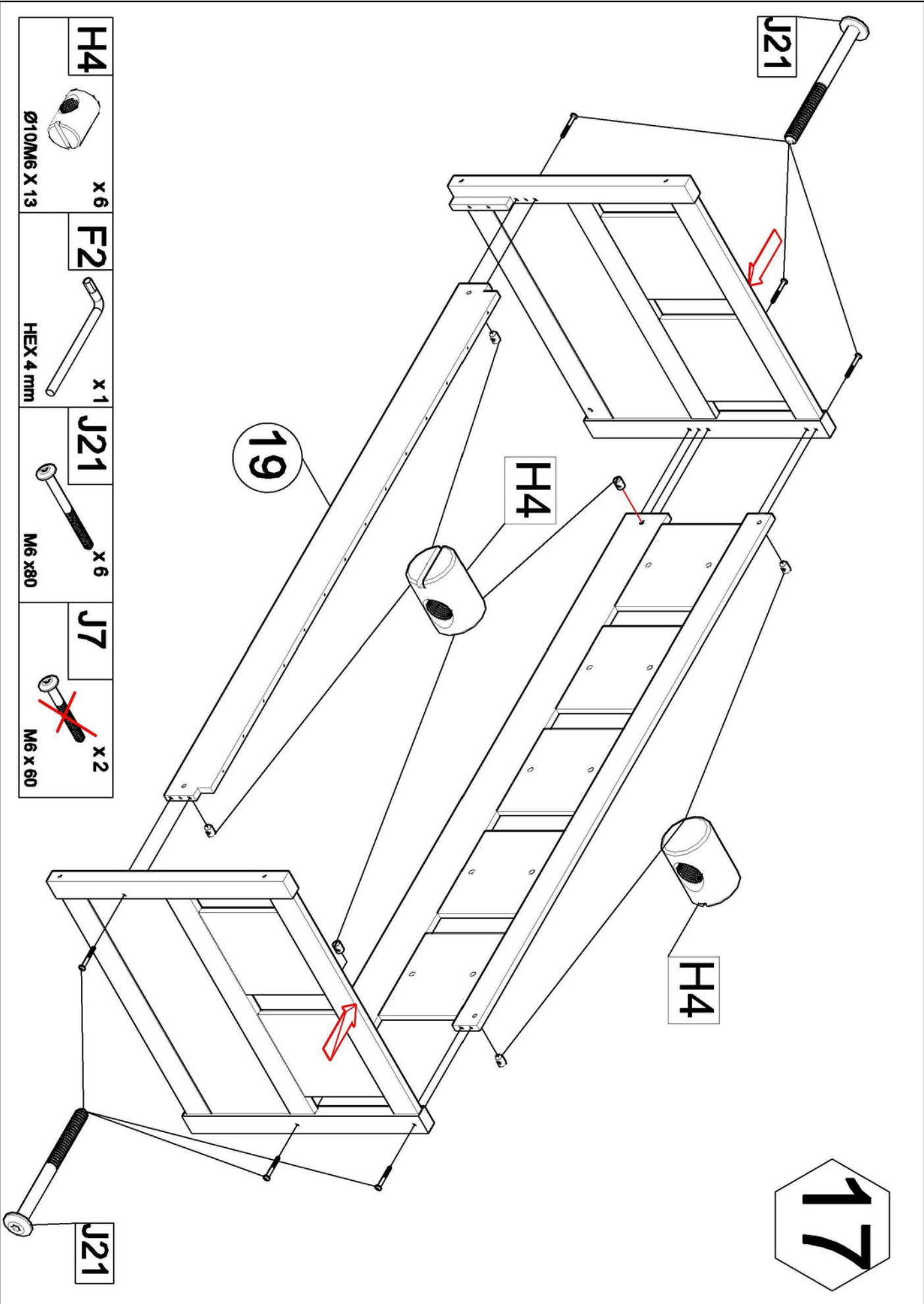



21

20

22






K1 x 46

 Ø8 X 35


K2 x 8

 Ø8 X 30

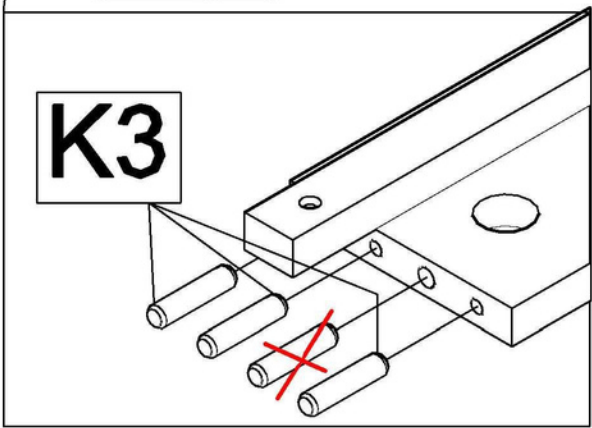
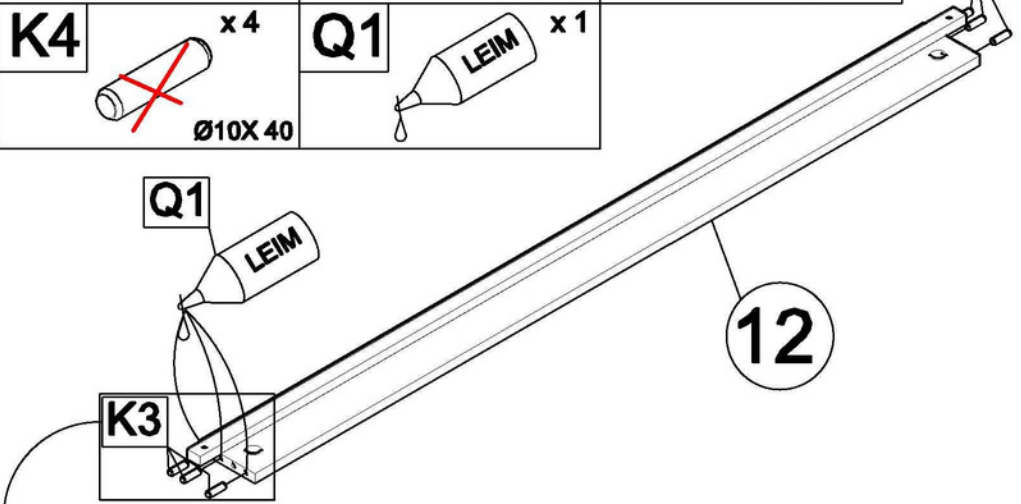
K3 x 6

 Ø8 X 40

K4 x 4

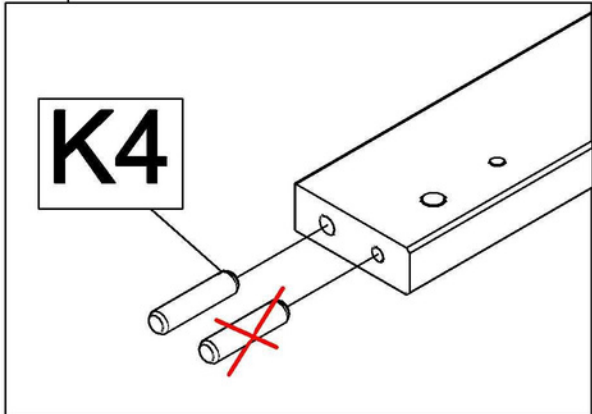
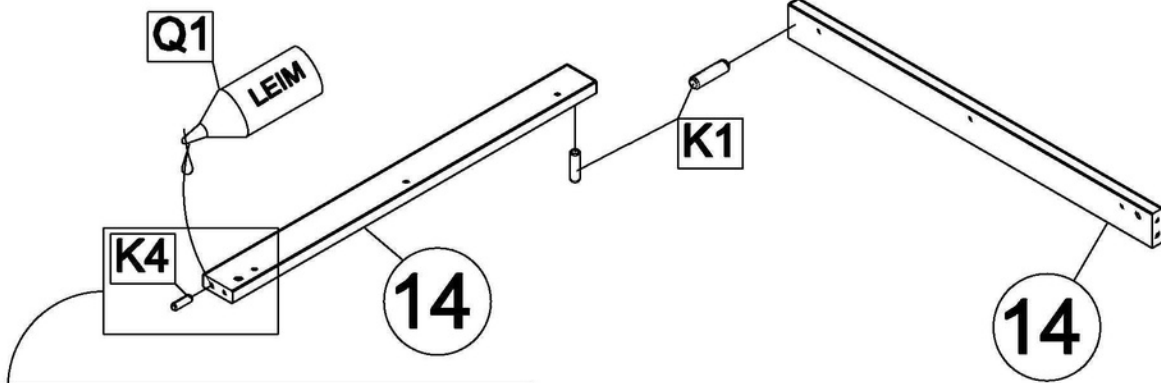
 Ø10X 40

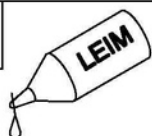



Q1 x 1


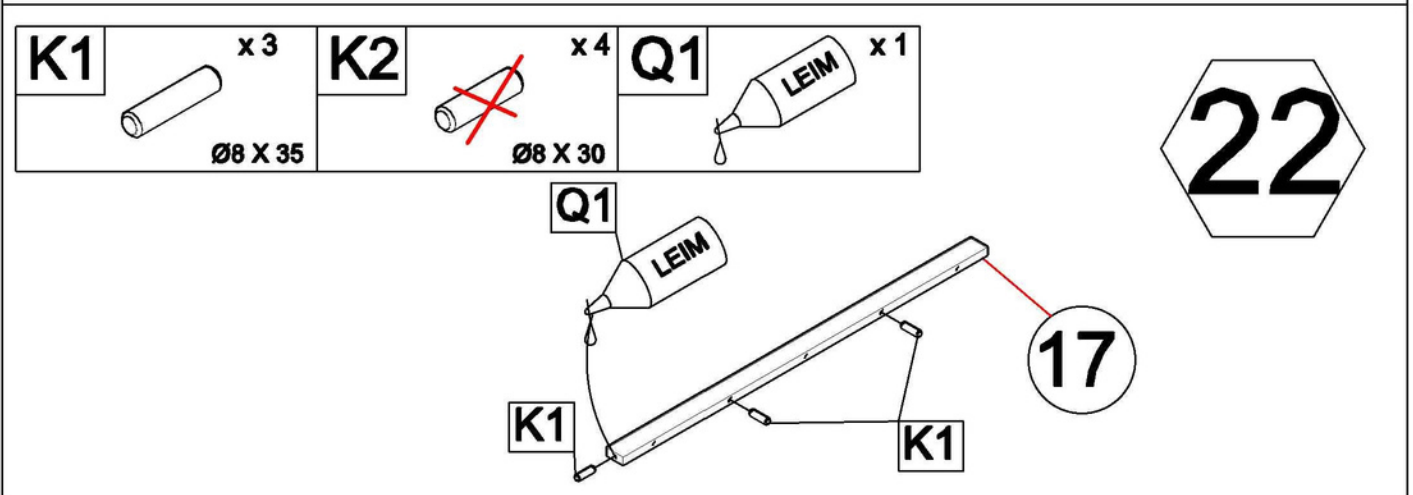
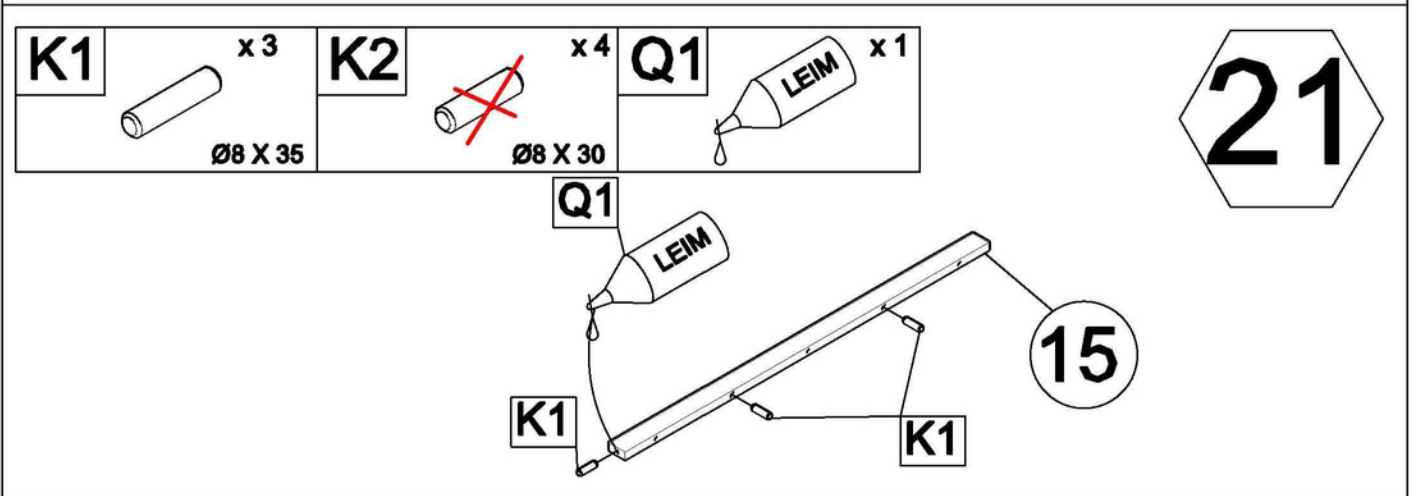
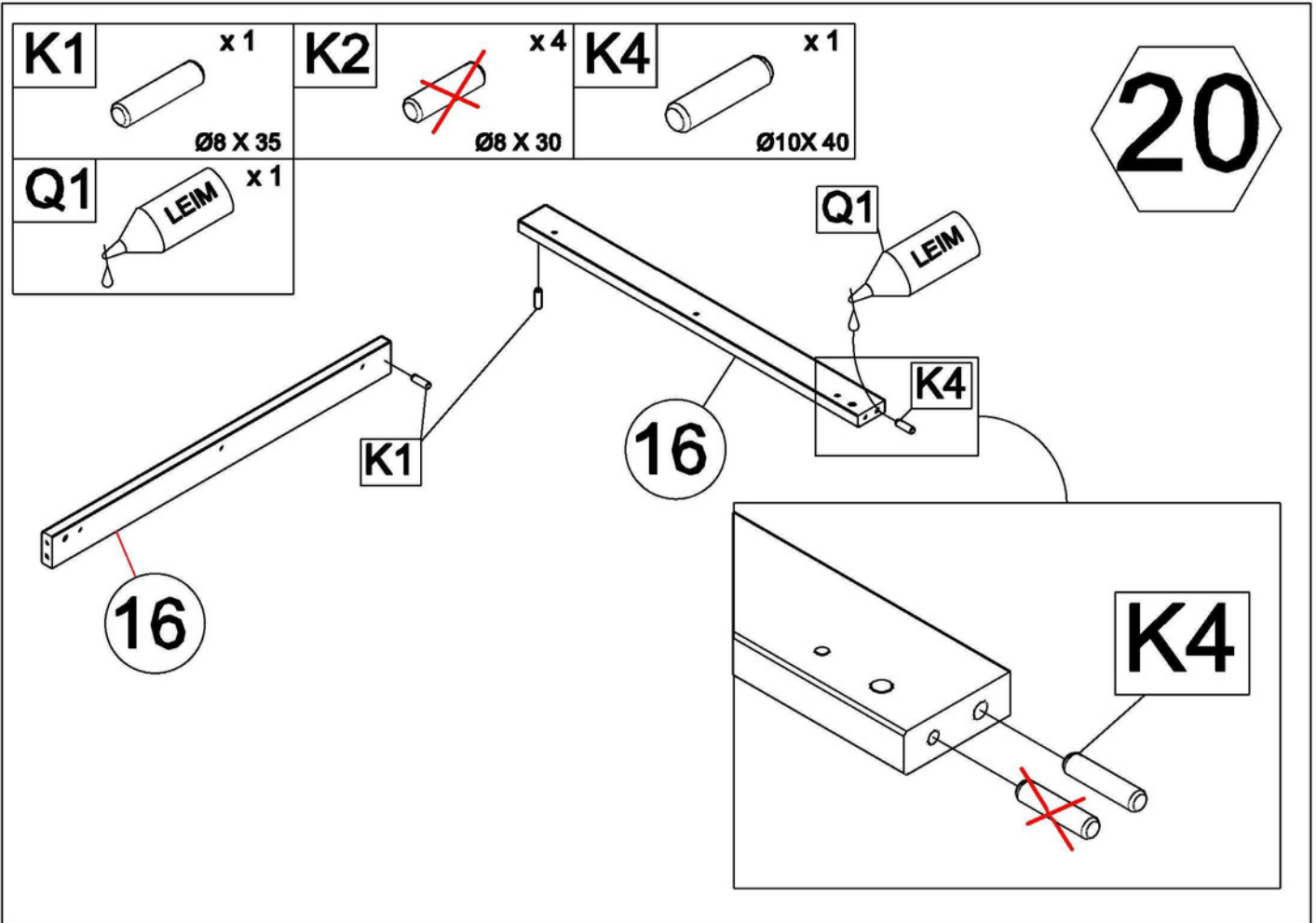
18

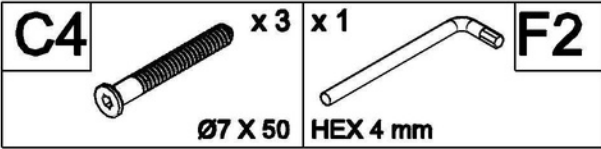


19

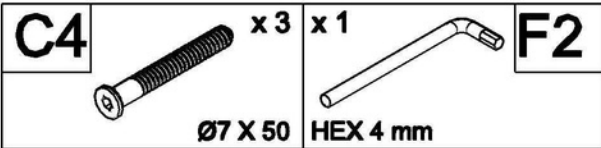
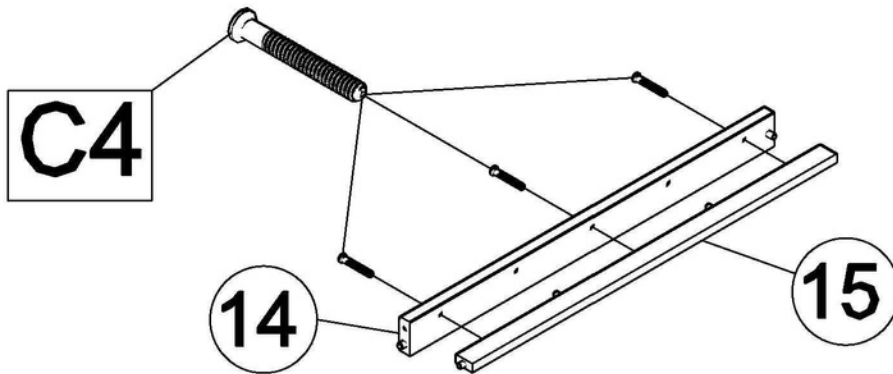


Q1 x 1 	K4 x 1  Ø10X 40
K1 x 1  Ø8 X 35	K2 x 4  Ø8 X 30

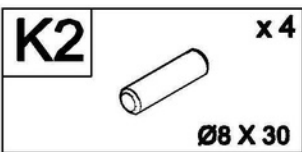
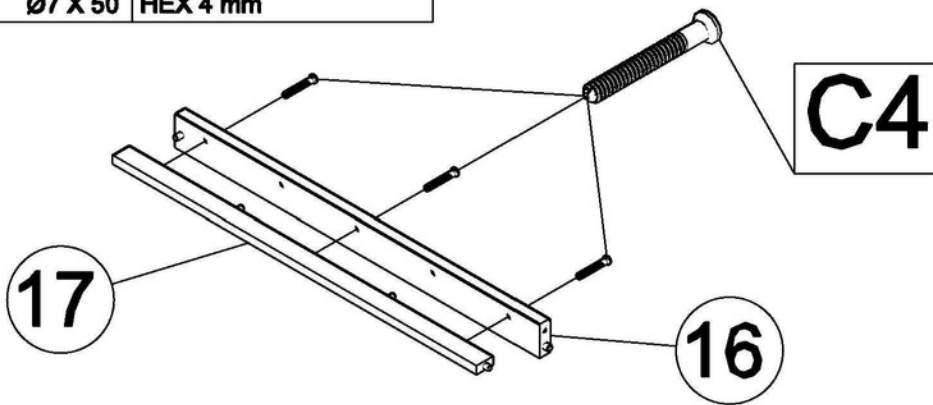




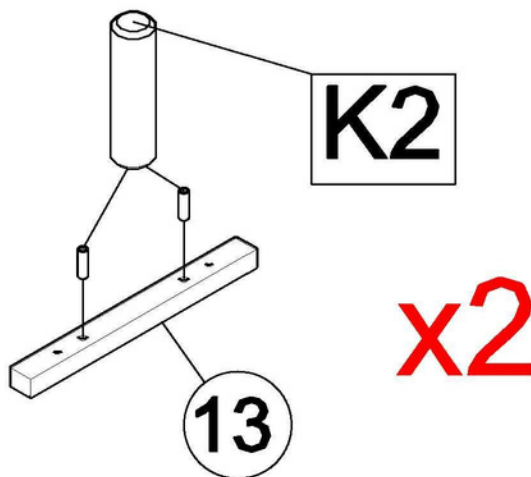
23

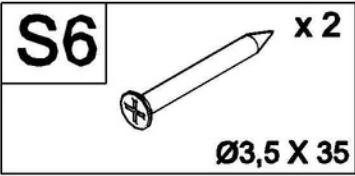


24

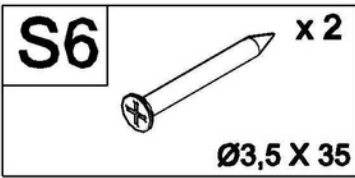
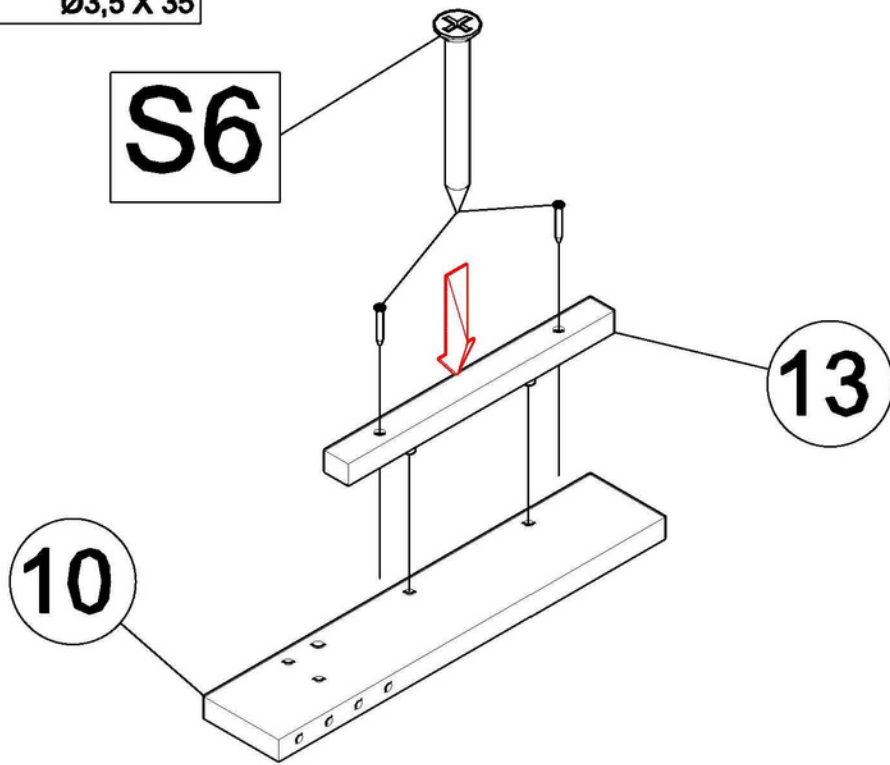


25

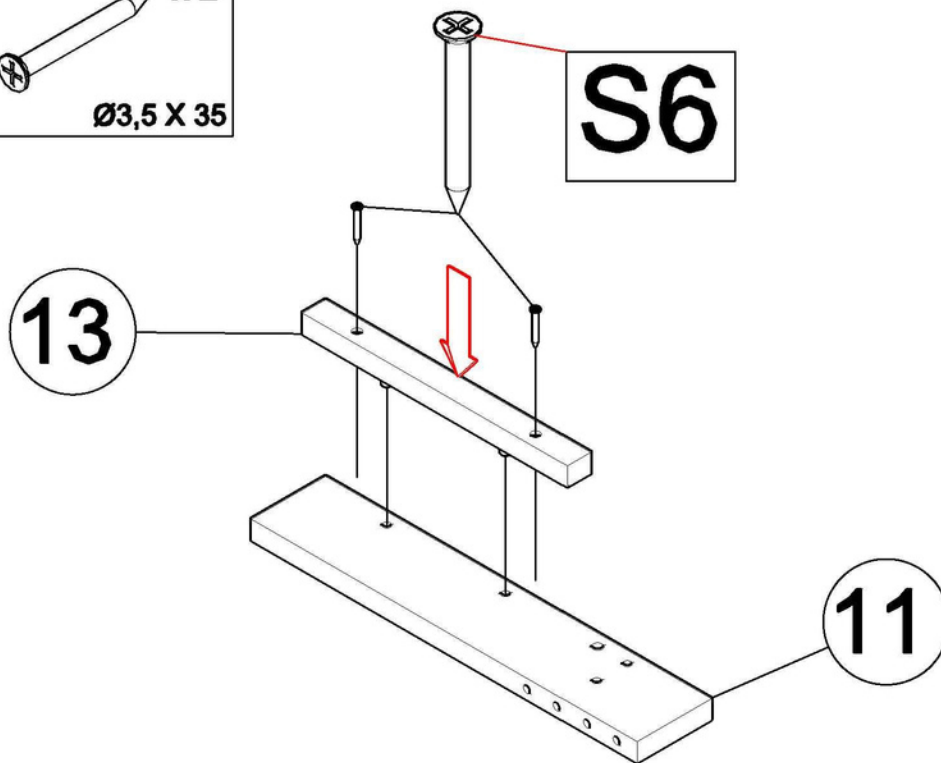




26

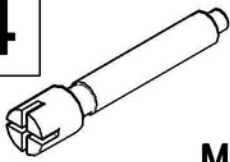


27



J4

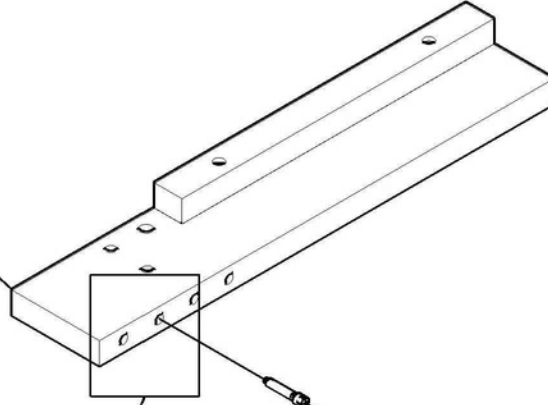
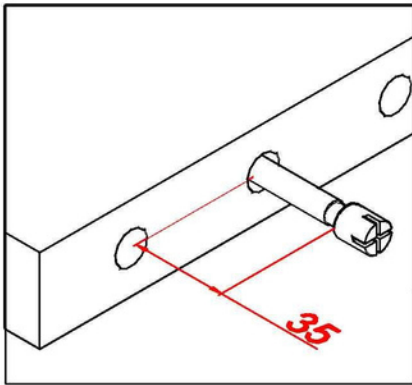
x 1



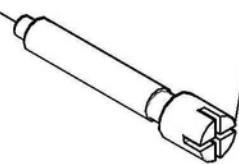
M6 X 50

28

10

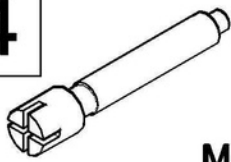


J4



J4

x 1

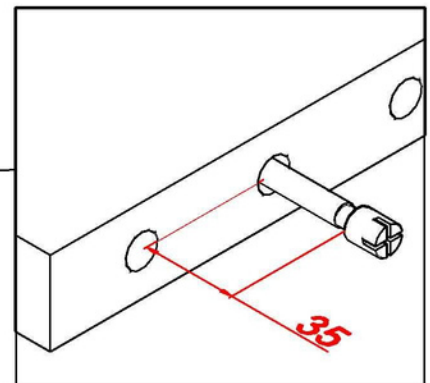
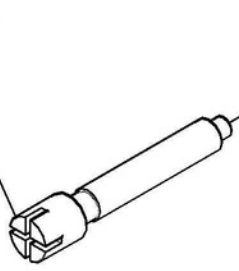
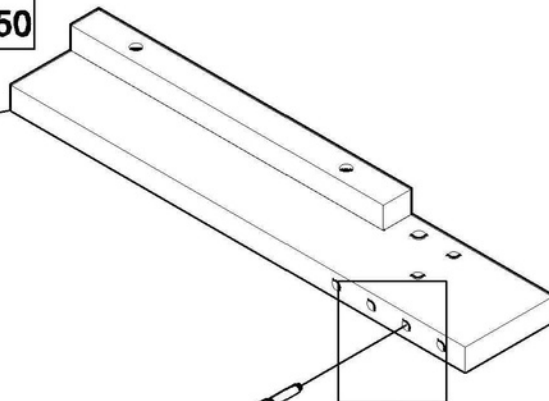


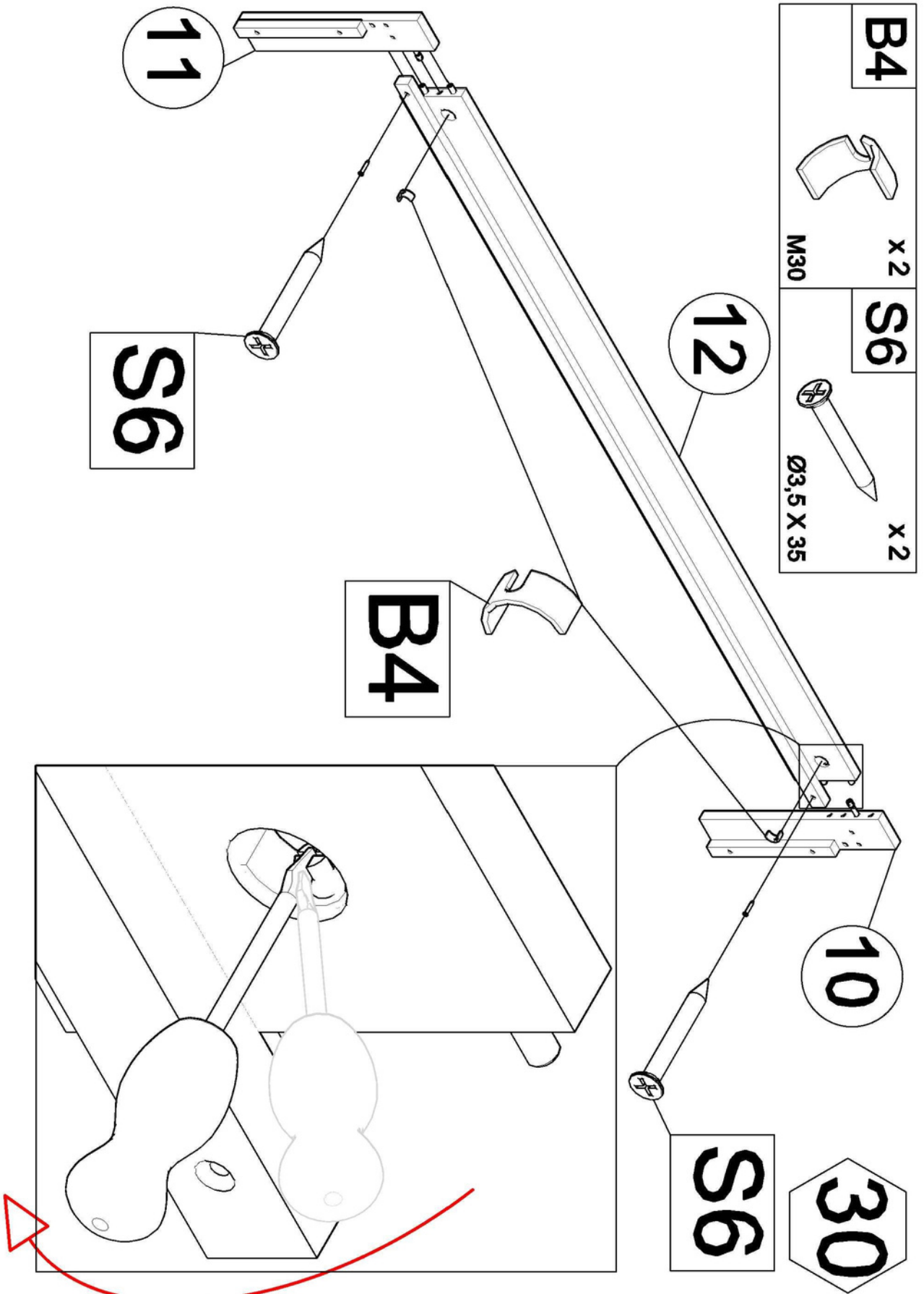
M6 X 50



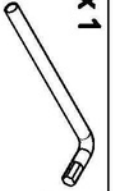

29

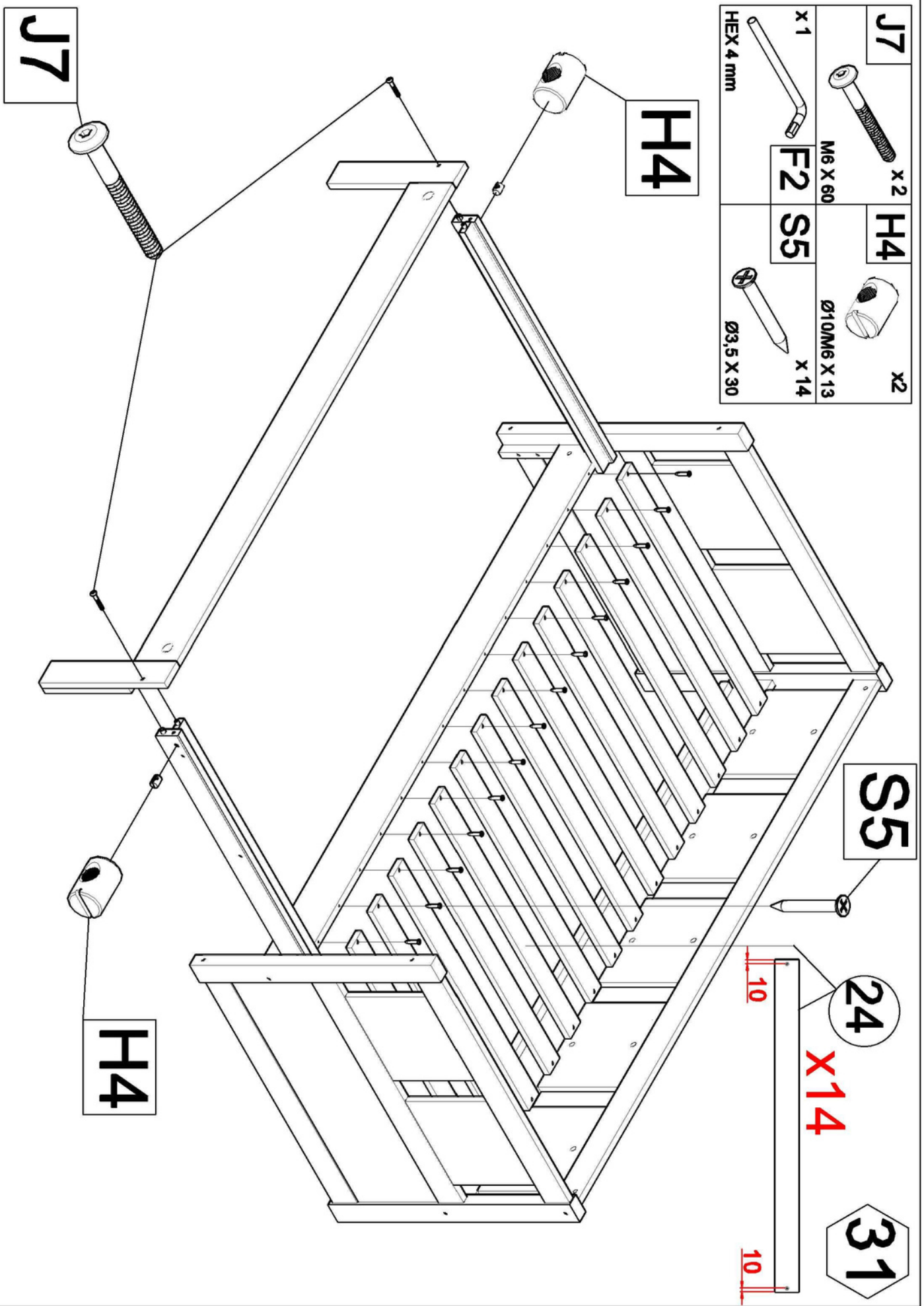
11



J4





J7 x 2 M6 X 60		H4 x 2 Ø10M6 X 13	
F2 x 1 HEX 4 mm		S5 x 14 Ø3,5 X 30	



 S20 Ø3,5 X 20	x 2
 E2 Ø6,3 X 24	x 13

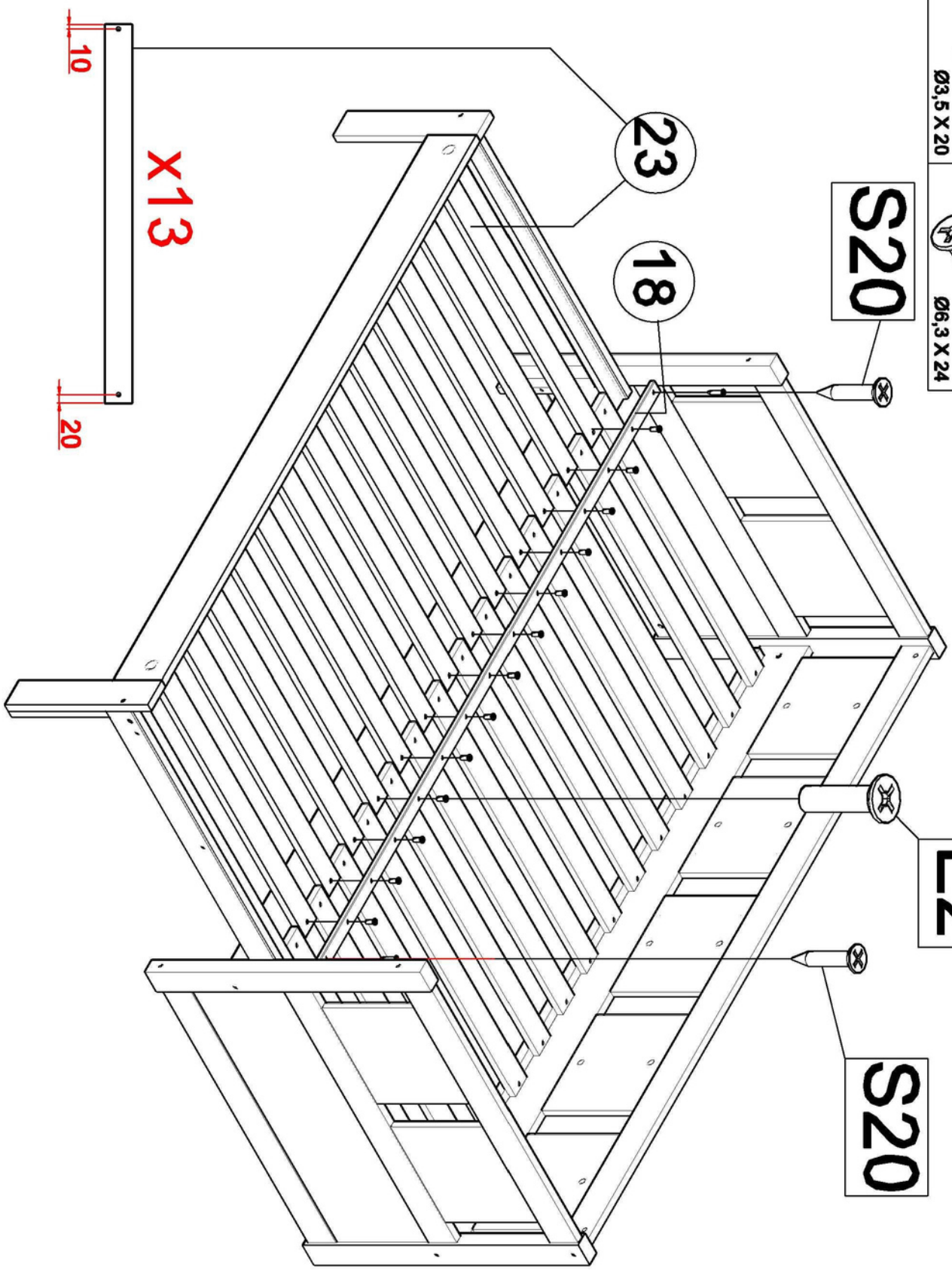
S20


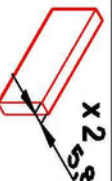
E2

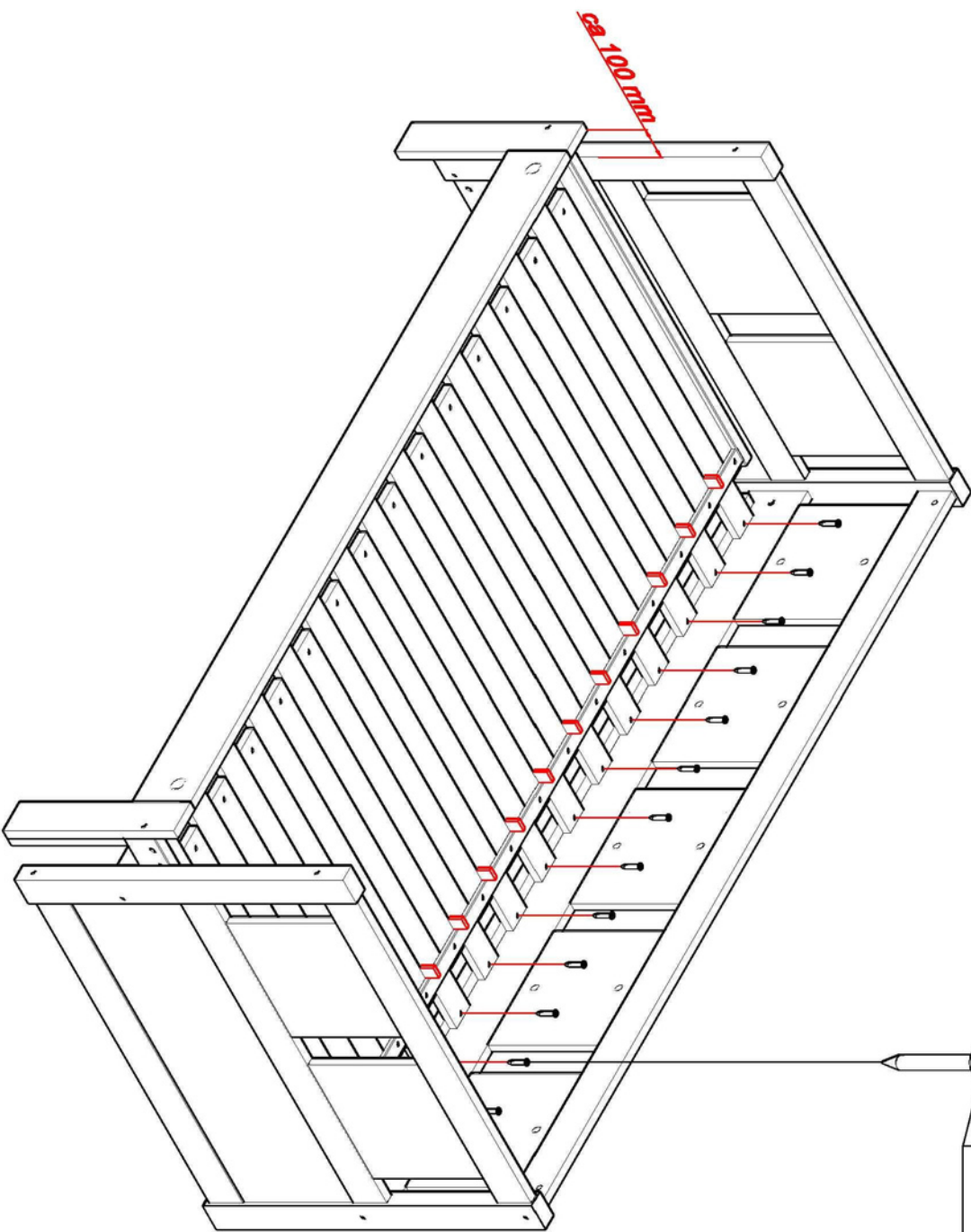
S20

32


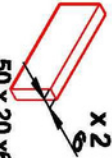
21/26



S5	X 14	X1
	$\varnothing 3,5 \times 30$	
		X 2
		$50 \times 20 \times 6$

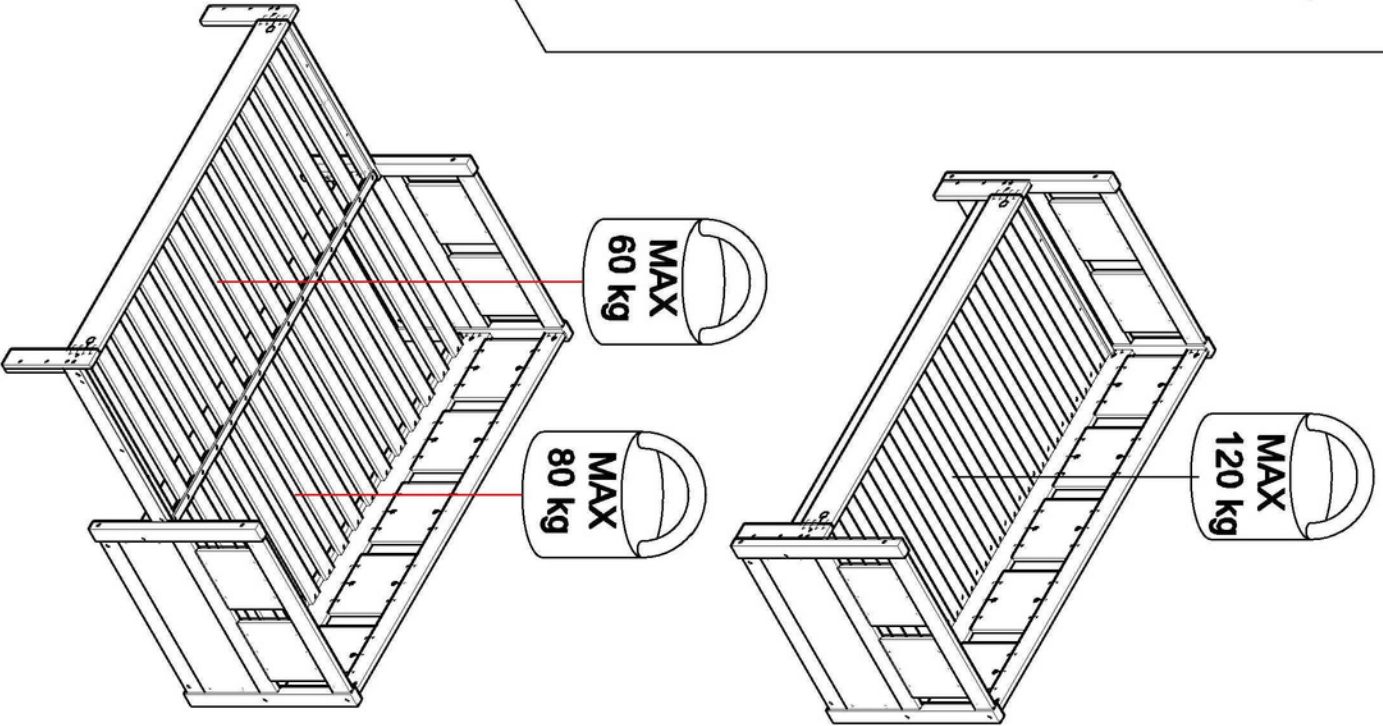
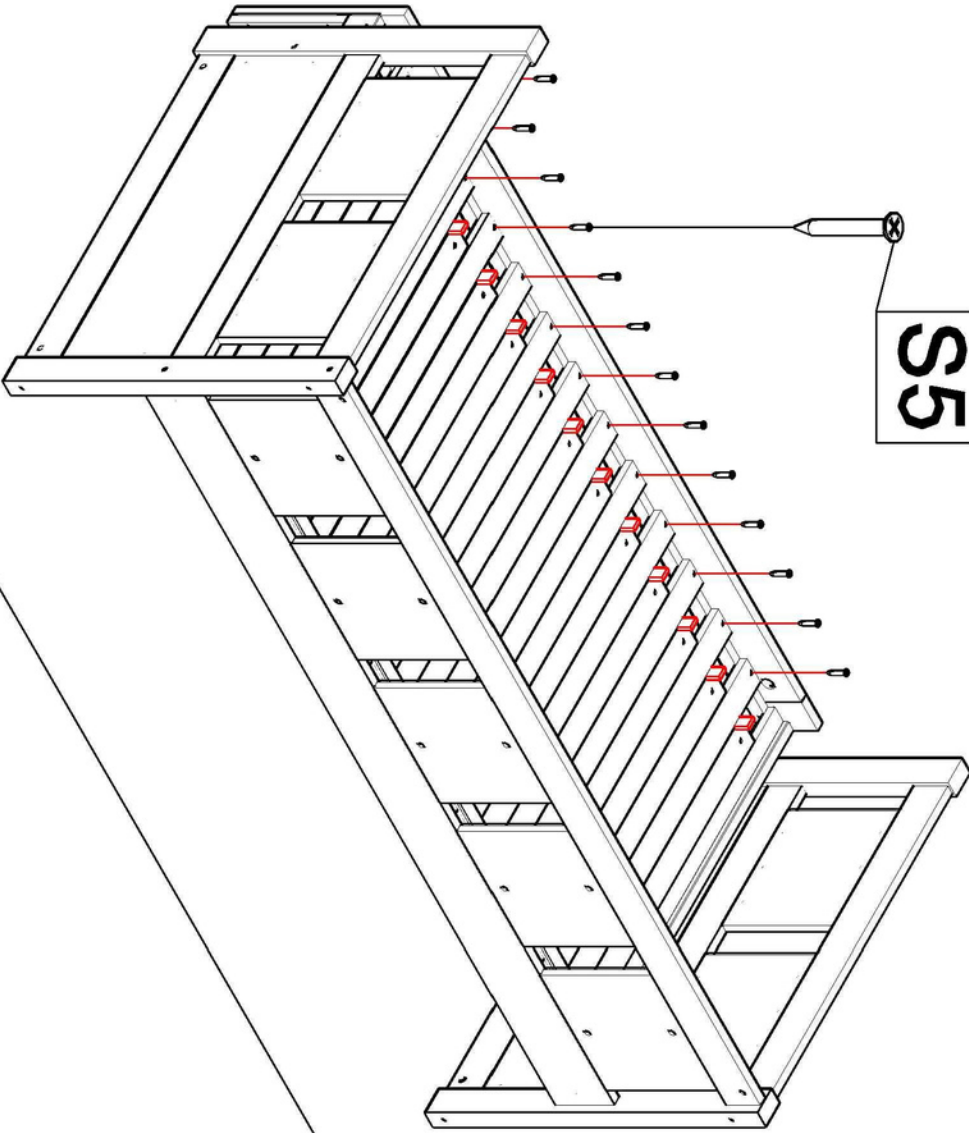


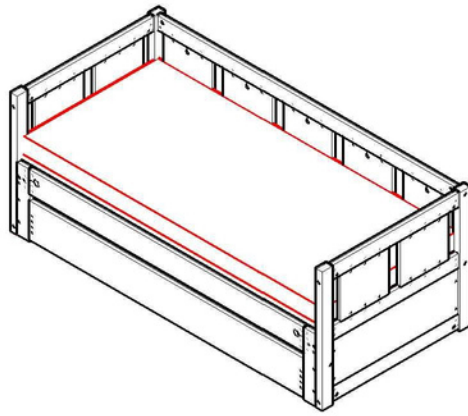
S5

S5  Ø3,5 X 30 x 13	X1  50 X 20 X6 x 2
---	---

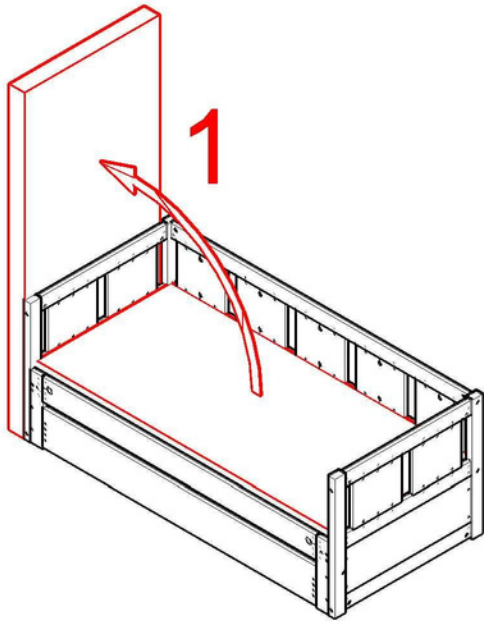
S5

34

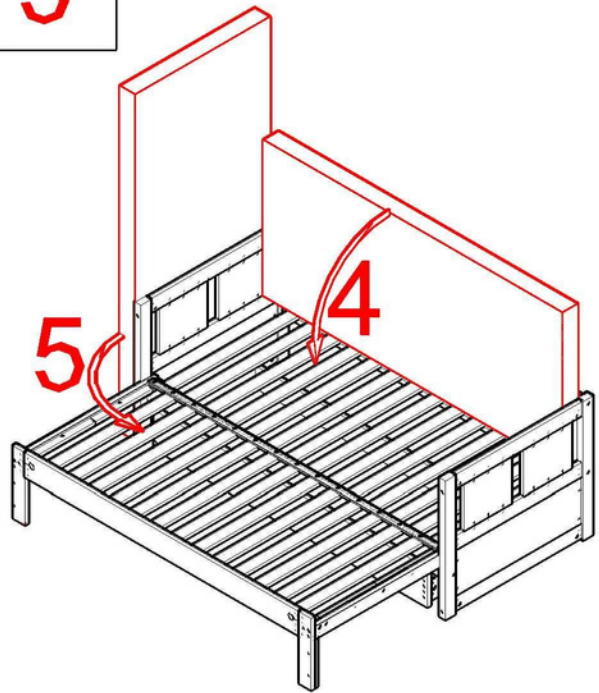




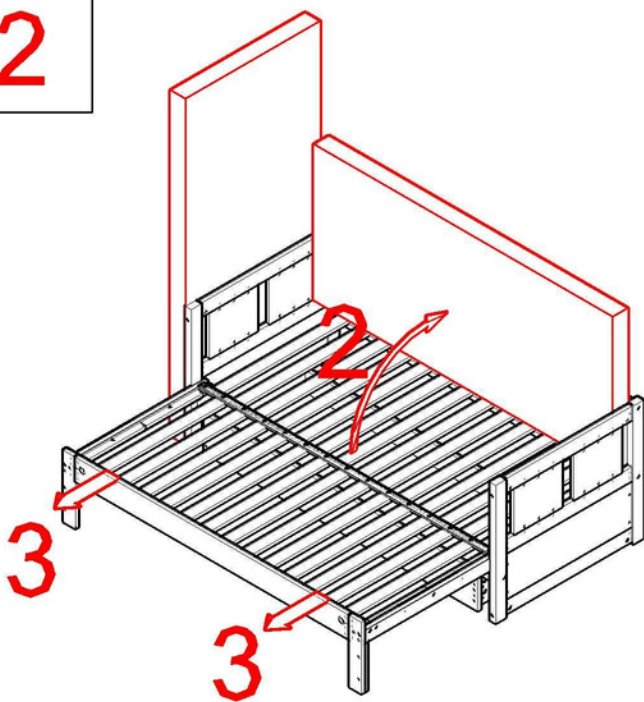
1



3



2



4

